

4

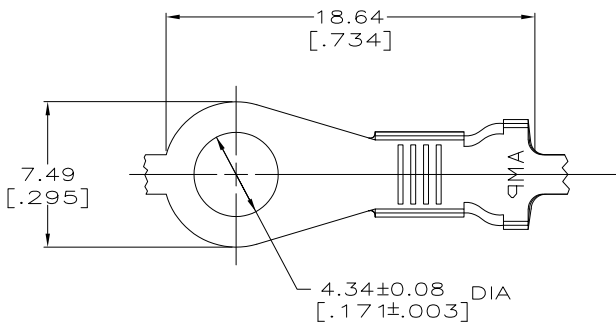
3

2

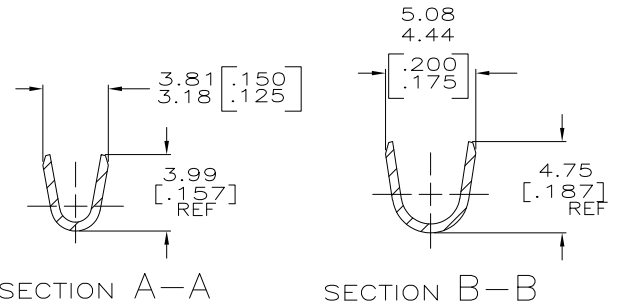
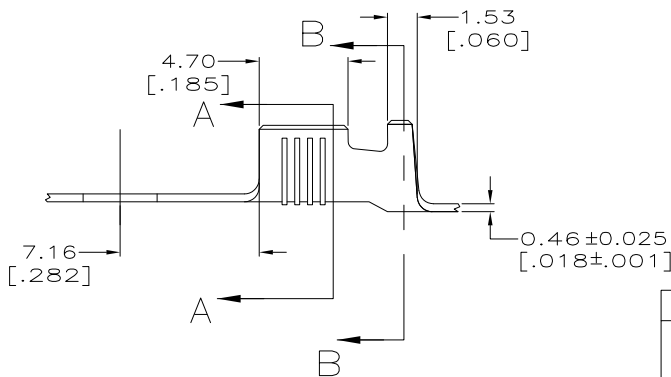
1

THIS DRAWING IS UNPUBLISHED. RELEASED FOR PUBLICATION
 © COPYRIGHT - By - ALL RIGHTS RESERVED.

LOC		DIST		REVISIONS			
P	LTR	DESCRIPTION		DATE	DWN	APVD	
H1		REVISED PER ECO-11-004820		11MAR11	RK	HMR	



- 1 CONTINUOUS STRIP ON REELS.
- 2 WIRE SIZE IS [#18-#14] AWG.
- 3 INSULATION RANGE IS 2.54-3.56 [.100-.140] DIA.
- 4 STUD SIZE IS M4 [#8].



WITH PAPER	-	60771-3
WITHOUT PAPER	TIN	60771-2
	-	60771-1
REELING REMARKS	FINISH	PART NO.

THIS DRAWING IS A CONTROLLED DOCUMENT.

DIMENSIONS: mm [INCHES]	TOLERANCES UNLESS OTHERWISE SPECIFIED:	DWN JR RUTH 21JUL99	TE Connectivity	
0 PLC ± -	1 PLC ± -	CHK MS FEHER 21JUL99	NAME	
2 PLC ± 0.38 [015]	3 PLC ± -	APVD D DECKER 21JUL99	RING	
4 PLC ± -	ANGLES ± -	PRODUCT SPEC	-	
MATERIAL H04 BRASS	FINISH SEE TABLE	APPLICATION SPEC	SIZE A3	CAGE CODE 00779
		WEIGHT	DRAWING NO C-60771	RESTRICTED TO
		CUSTOMER DRAWING	SCALE 5:1	SHEET 1 OF 1
			REV H1	