

4

3

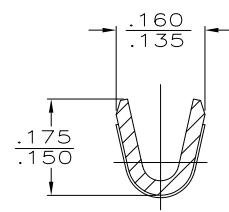
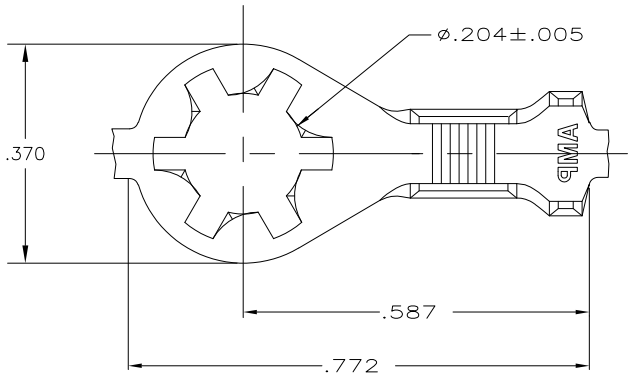
2

1

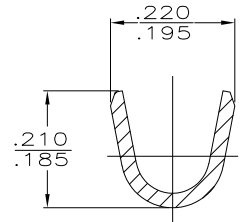
THIS DRAWING IS UNPUBLISHED. RELEASED FOR PUBLICATION  
 © COPYRIGHT - BY TYCO ELECTRONICS CORPORATION. ALL RIGHTS RESERVED.

LOC		DIST		REVISIONS			
P	LTR	DESCRIPTION		DATE	DWN	APVD	
AF	50	E		REVISED PER ECR-07-014127	25SEP07	HMR DD	

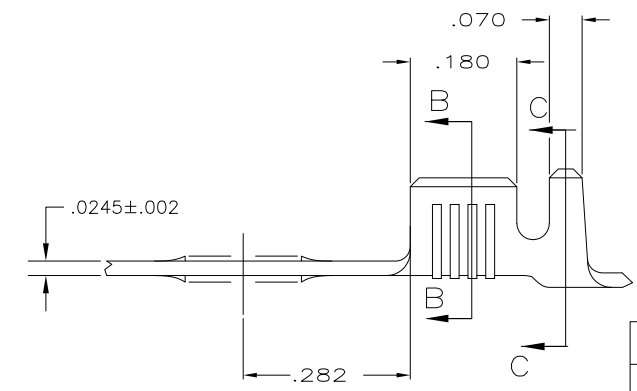
- 1 CONTINUOUS STRIP ON REELS
- 2  $\triangle$  .000080 MIN TIN PER MIL-T-10727
- 3 WIRE SIZE IS #18-#14 AWG
- 4 INSULATION RANGE IS .105-.145 DIA



SECTION B-B



SECTION C-C



OBsolete	$\triangle$	-	350436-2
	$\triangle$	.025 STEEL	350436-1
		FINISH	MATERIAL
			PART NO.

THIS DRAWING IS A CONTROLLED DOCUMENT.		DWN	25SEP2007	Tyco Electronics		Tyco Electronics Corporation	
DIMENSIONS: INCHES		CHK	25SEP2007	D DECKER		Harrisburg, PA 17105-3608	
TOLERANCES UNLESS OTHERWISE SPECIFIED:		APVD	25SEP2007	D DECKER		RING	
0 PLC	± -	PRODUCT SPEC		NAME		RESTRICTED TO	
1 PLC	± -	APPLICATION SPEC		SIZE	CAGE CODE	DRAWING NO	
2 PLC	± -	MATERIAL		A3	00779	C=350436	
3 PLC	± .015	FINISH		CUSTOMER DRAWING		SCALE	6:1
4 PLC	± -	SEE TABLE		SHEET		1 OF 1	REV E
ANGLES	± -	SEE TABLE		SHEET		1 OF 1	REV E