

4

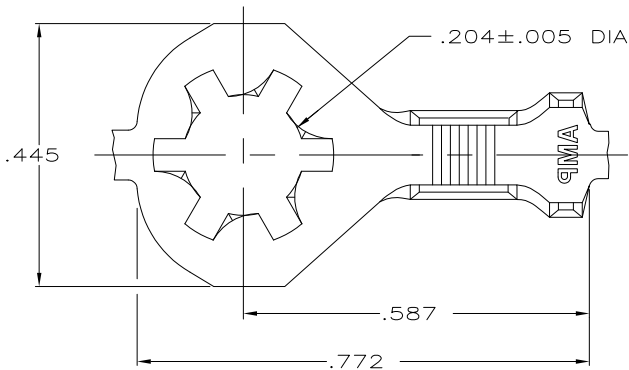
3

2

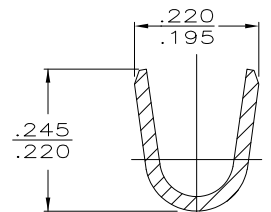
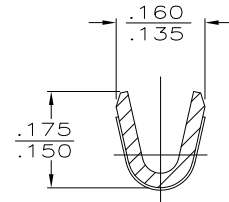
1

THIS DRAWING IS UNPUBLISHED. RELEASED FOR PUBLICATION
 © COPYRIGHT - BY TYCO ELECTRONICS CORPORATION. ALL RIGHTS RESERVED.

LOC	DIST	REVISIONS			
P	LTR	DESCRIPTION	DATE	DWN	APVD
AF	50	B	REVISED PER ECR-07-014127	26SEP07	HMR DD

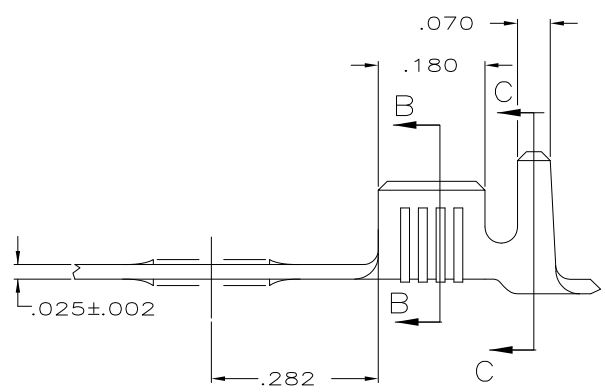


1 CONTINUOUS STRIP ON REELS



SECTION B-B

SECTION C-C



.105-.145	18-14	63482-1
(2).110 STACKED		
INSULATION RANGE	WIRE SIZE	PART NO

THIS DRAWING IS A CONTROLLED DOCUMENT.		DWN	3/21/88	Tyco Electronics Corporation Harrisburg, PA 17105-3608
DIMENSIONS: INCHES		CHK	3/23/88	
TOLERANCES UNLESS OTHERWISE SPECIFIED:		APVD	3/23/88	
0 PLC ± - 1 PLC ± - 2 PLC ± - 3 PLC ± .015 4 PLC ± - ANGLES ± -		NAME		
MATERIAL: T2 STEEL		FINISH: TIN PL		PRODUCT SPEC: RING APPLICATION SPEC: - WEIGHT: - SIZE: A3 CAGE CODE: 00779 DRAWING NO: C-63482 RESTRICTED TO: -
CUSTOMER DRAWING			SCALE: 6:1	SHEET: 1 OF 1
			REV: B	

AMP 1470-19 REV 31MAR2000