

4

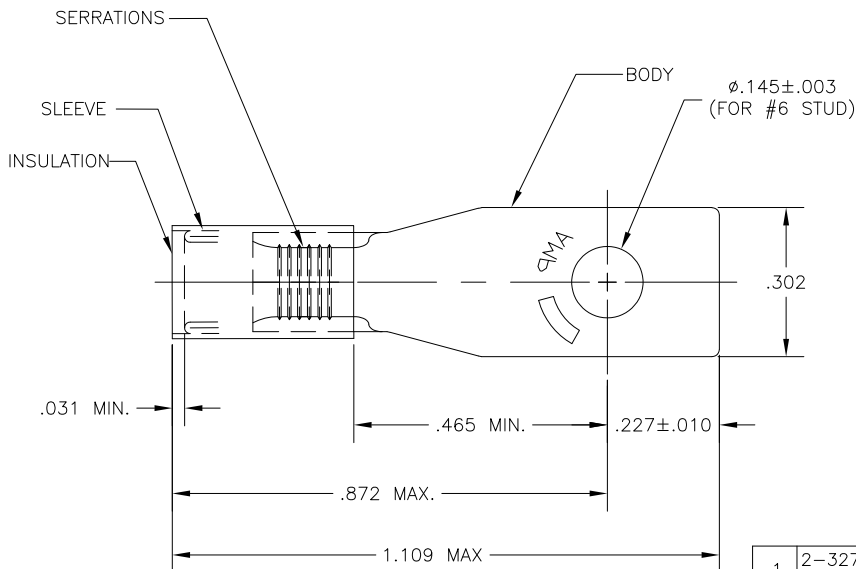
3

2

1

THIS DRAWING IS UNPUBLISHED. RELEASED FOR PUBLICATION
 © COPYRIGHT - BY TYCO ELECTRONICS CORPORATION. ALL INTERNATIONAL RIGHTS RESERVED.

LOC	DIST	REVISIONS			
P	LTR	DESCRIPTION	DATE	DWN	APVD
G	02	M1	REVISED PER ECR-09-026553	04DEC09	JR TM



- ① SUPERSEDED BY 2-327958-4
- 2 TONGUE MATERIAL THK=.031±.002 FOR "A" TO "B" WIRE INS. DIA
- ③ OBSOLETE PART NUMBER.
- ④ MEETS MS17143-5, CLASS 1 & 2

OBSOLETE

1	2-327940-1 ON TAPE	2-327940-3	INSULATION: NYLON(MIL-M-20693) TYPE I COLOUR: BLUE BODY&SLEEVE: COPPER (QQ-C-576) TIN PL (MIL-T-10727)
1	WIRE TERMINAL	2-327940-1	
1	2-327940-4 ON TAPE	2-327940-5	INSULATION: NYLON COLOUR: BLUE SLEEVE: COPPER (QQ-C-576) BODY: COPPER (QQ-C-576) TIN PL (MIL-T-10727)
1	WIRE TERMINAL	2-327940-4	
1	327940 ON TAPE	2-327940-2	MATERIAL & FINISH
1	WIRE TERMINAL	327940	
QTY	DESCRIPTION	PART NO	

2-327940-4	2-327940-5	.105	.150	① ④
2-327940-1	2-327940-3	.115	.170	③
327940	2-327940-2	.115	.170	③
PART NO	PART # ON TAPE	"A"	"B"	

THIS DRAWING IS A CONTROLLED DOCUMENT.

DIMENSIONS:	TOLERANCES UNLESS OTHERWISE SPECIFIED:
INCHES	
0 PLC	± .
1 PLC	± .
2 PLC	± .008
3 PLC	± .
4 PLC	± .
ANGLES	± 5'
MATERIAL	FINISH
SEE TABLE	SEE TABLE

DWN RAGHAVENDRA HM	09JUN08	Tyco Electronics Corporation Harrisburg, PA 17105-3608
CHK T MICHELUTTI	09JUN08	
APVD T MICHELUTTI	09JUN08	NAME
PRODUCT SPEC		WIRE TERMINAL, PIDG, RECTANGULAR TONGUE WIRE SIZE : 16-14
APPLICATION SPEC		
WEIGHT		SIZE
		A3
		CAGE CODE
		00779
		DRAWING NO
		327940
		RESTRICTED TO
CUSTOMER DRAWING	SCALE	5:1
	SHEET	1 OF 1
	REV	M1

1470-19 (1/08)