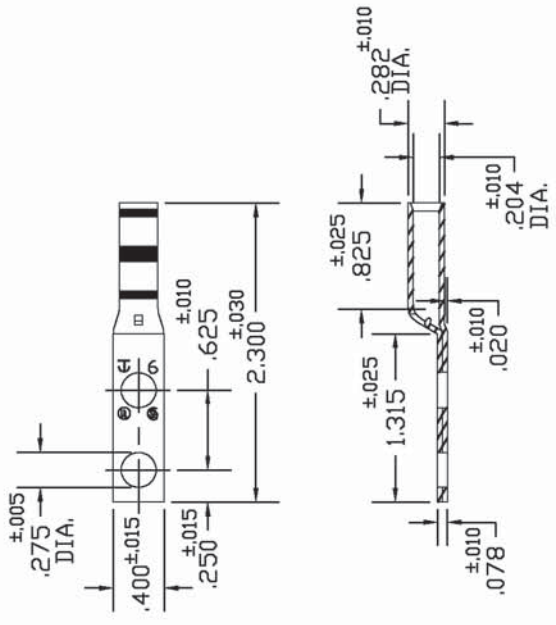


4 3 2 1

THIS DRAWING IS UNPUBLISHED.  
 BY TYCO ELECTRONICS CORPORATION. ALL RIGHTS RESERVED.

LOC	DIST	REVISIONS	
G	50	P	LTR
		A	REV PER 0G3H-0009-04
			DATE
			19JAN04
			DWN
			JR
			MS



COLOR CODED BLUE

ACTIVE	L2-6147	STANDARD	COLOR CODED	1527347-3
STATUS		AET P/N	PACKAGING	FINISH
THIS DRAWING IS A CONTROLLED DOCUMENT.		DWN	12/1/00	
DIMENSIONS:		D.A.A	12/1/00	
INCHES		CHK	H.D.F	
TOLERANCES UNLESS OTHERWISE SPECIFIED:		APPO	H.D.F	
0 PLC ±		PRODUCT SPEC		
1 PLC ±		APPLICATION SPEC		
2 PLC ±		WEIGHT		
3 PLC ±		CAGE CODE	DRAWING NO	
4 PLC ±		A3	00779	1527347
ANGLES ±		RESTRICTED TO		
FINISH ±				
MATERIAL		CUSTOMER DRAWING		
COPPER ASTM B-75				
		SCALE	1:1	SHEET 1 OF 1
		REV	1	A

tyco  
 Electronics  
 Tyco Electronics Corporation  
 Harrisburg, PA 17105-3608  
 TUBULAR TERMINAL  
 #6 LONG BARREL-2 HOLES