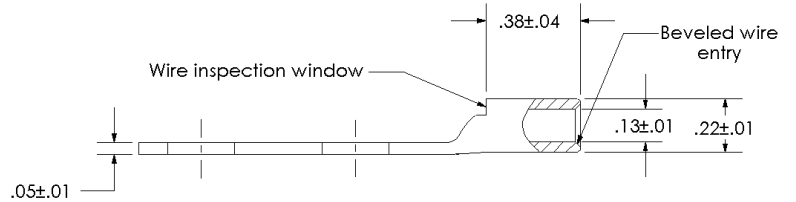
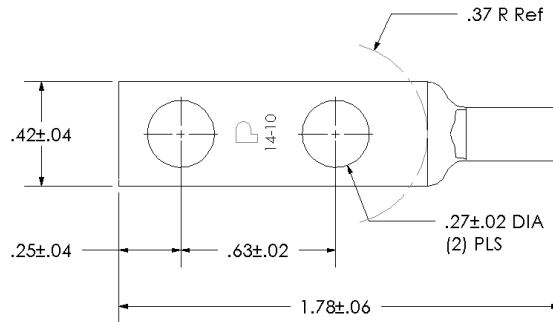


THIS COPY IS PROVIDED ON A RESTRICTED BASIS AND IS NOT TO BE USED IN ANY WAY DETRIMENTAL TO THE INTERESTS OF PANDUIT CORP.

Material	High Conductivity Seamless Copper Tube
Plating	Electro-Tin
Wire Size	10 AWG
Wire Type	Stranded Copper; Class B: Compact, Compressed or Concentric, Class C: Concentric
Wire Strip Length	7/16 in.
Stud Size	1/4 in.
UL Listed Wire Connector	Yes, for applications up to 35kv. Consult cable manufacturer for voltage stress relief instructions with applications greater than 2000 volts.
UL Temperature Rating	90° C
C.S.A Certified Wire Connector	Yes
Panduit Color Code on Barrel	N/A
Panduit Die Index No. on Barrel	N/A
Alternate Industry Die Index No. () on Barrel	N/A



CERTIFIED

LISTED Wire Connector

					PANDUIT CORP. TINLEY PARK, ILLINOIS	
					LCD10-14A-L Copper Lug - Two-Hole, Standard Barrel	
00	12/02	SAB	DRL	RELEASED	10343	
REV	DATE	BY	CHK	DESCRIPTION	ECN	SCALE N/A DRAWING NO / CAD FILE LCD10-14A-CUST