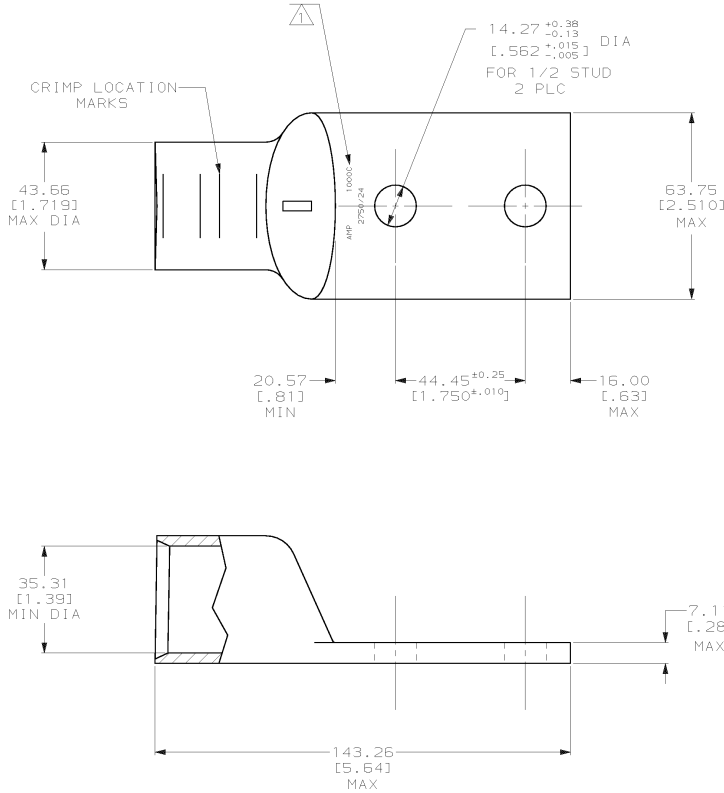


THIS DRAWING IS UNPUBLISHED. RELEASED FOR PUBLICATION .19
 © COPYRIGHT 19 BY AMP INCORPORATED. ALL INTERNATIONAL RIGHTS RESERVED.

LOC	DIST	P	F	ZONE	LTR	REVISIONS	DATE	APPRO
6	86				B	REV PER 063A-0561-01	0900T02	TH



STAMP AMP 1000C 2750/24 APPROX AS SHOWN



AMP WIRE RANGE	UL Listed	SR LR7189 Certified	MILITARY P/N AND CLASS
525.7mm ² [1000] MCM STRANDED	525.7mm ² [1000] MCM STRANDED	525.7mm ² [1000] MCM STRANDED	NOT APPLICABLE

-	327294-3
0.00254 [0.000100] MIN TIN PER ASTM B545	327294
FINISH	PART NO

**AMP INCORPORATED
 CUSTOMER SERVICE SYSTEMS**

FOR ADDITIONAL PRODUCT INFORMATION OR COPIES OF DRAWINGS AND TECHNICAL DOCUMENTS

PRODUCT INFORMATION CENTER
 1-800-522-6752

FOR APPLICATION TOOLING INFORMATION

CUSTOMER SERVICE HOTLINE
 1-800-722-1111

FOR ORDER ENTRY

1-800-526-5142

MAX RECOMMENDED OPERATING TEMPERATURE:
 170°C MAX

VOLTAGE RATING:
 -

CIRCULAR MIL AREA:
 950 - 1125 MCM STRANDED

THIS DRAWING IS A CONTROLLED DOCUMENT FOR AMP INCORPORATED. IT IS SUBJECT TO CHANGE AND THE CONTROLLING ENGINEERING ORGANIZATION SHOULD BE CONTACTED FOR THE LATEST REVISION.

DO NOT SCALE PRINT.
 UNLESS SPECIFIED DIMENSIONS IN mm [INCHES] TOLERANCES ON:
 2 PLC DEC ± 0.20(.008)
 3 PLC DEC ±
 ANGLES ± -

MATERIAL
 COPPER ASTM B-75 ANNEALED

FINISH
 SEE TABLE

DR 10/19/90
 DK SCHIRM

CHK 8/17/92
 AJ KAUFMAN

APPD 8/17/92
 WJ VOCKROTH

APPD 8/17/92
 CR RHODS

PRODUCT SPEC
 108-30200

APPLICATION SPEC
 -

WEIGHT 1.11 lbs.

AMP AMP Incorporated
 Harrisburg, PA 17105-3608

NAME
 TERMINAL, RECTANGULAR TONGUE, AMPPOWER™

SIZE CAGE CODE DRAWING NO
 C 00779 C-327294

SCALE 1:1 SHEET 1 OF 1

327294