

4

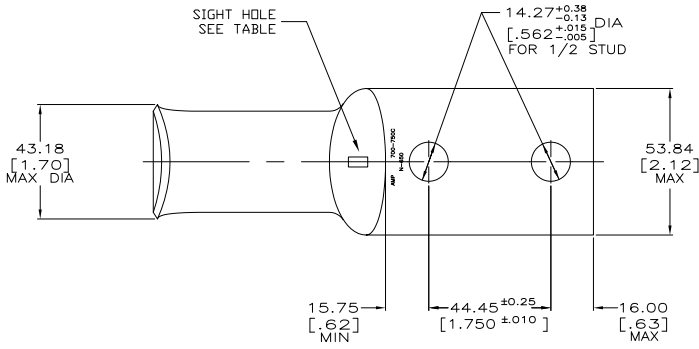
3

2

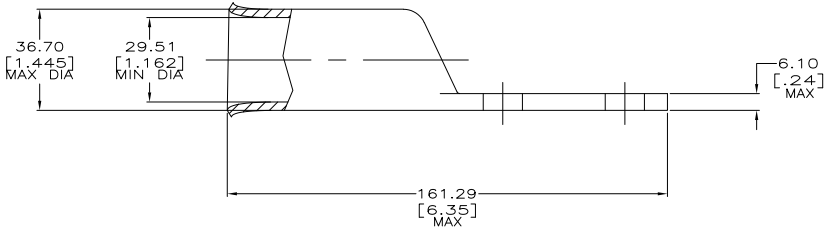
1

THIS DRAWING IS UNPUBLISHED. RELEASED FOR PUBLICATION
 © COPYRIGHT BY TYCO ELECTRONICS CORPORATION. ALL INTERNATIONAL RIGHTS RESERVED.

LOC		DIBT		REVISIONS			
P	LTR	DESCRIPTION	DATE	BY	APP'D		
G	86						
	D	REV PER ECO	-09-028443			30DEC09	JR RL



- 1 CIRCULAR MIL RANGE: 650-750 MCM
- △ TIN PL 0.00381[.000150] MIN THK PER ASTM B-545
- △ CIRCULAR MIL RANGE: 650-750 MCM



REQUIRED	△ 3	53686-3
---		53686-2
SIGHT HOLE		PART NO.

THIS DRAWING IS A CONTROLLED DOCUMENT.		DN: DK SCHRUM 02/28/90	Tyco Electronics Corporation Harrisburg, PA 17105-3608	
DIMENSIONS: MM [INCHES]		OK: MS FEHNER 24JAN95	TERMINAL, AMPPOWER, WIRE SIZE: 700 MCM	
OTHER DIMENSIONS: OTHER DIMENSIONS: UNLESS SPECIFIED		APP'D: TL SHUTTER 24JAN95	RESTRICTED TO	
MATERIAL: ANNEALED COPPER PER ASTM B-75		PRODUCT SPEC: 108-30200	SIZE: A2	CAGE CODE: 00779
FINISH: △		APPLICATION SPEC: ---	DRAWING NO: C-53686	SCALE: 1:1
		WEIGHT: .871 LB	SHEET: 1 of 1	
		CUSTOMER DRAWING	REV: D	

1471-9 (1/08)

53686

A