

4

3

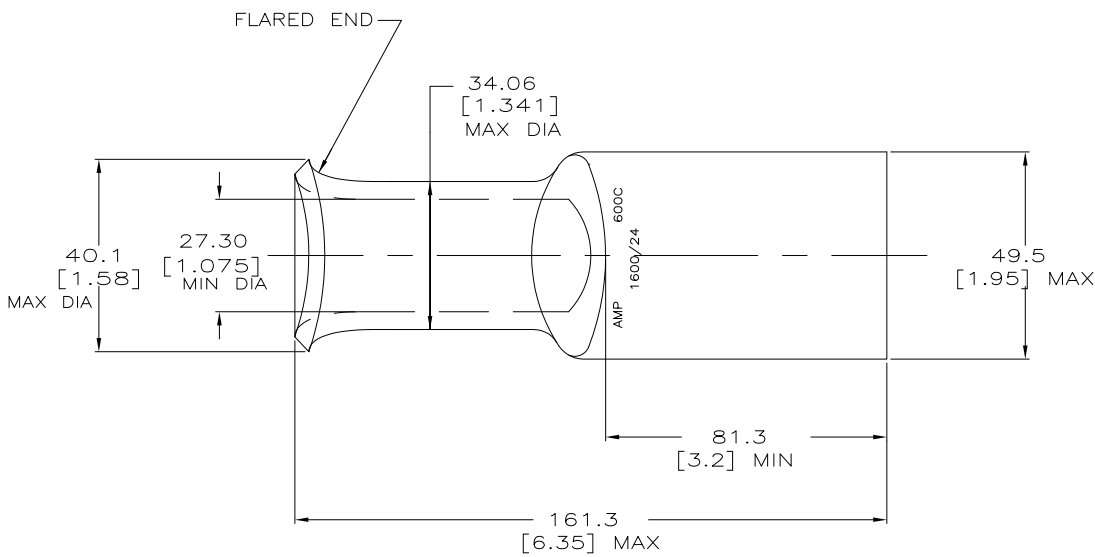
2

1

THIS DRAWING IS UNPUBLISHED. RELEASED FOR PUBLICATION
 © COPYRIGHT BY TYCO ELECTRONICS CORPORATION. ALL INTERNATIONAL RIGHTS RESERVED.

LOC	DIST	REVISIONS			
P	LTR	DESCRIPTION	DATE	DWN	APVD
G	86				
	E1	REV PER ECR 09-019195	02SEPT09	JR	RL

1 TONGUE THICKNESS IS 5.59 [.22] MAX.



326222
 PART NO.

THIS DRAWING IS A CONTROLLED DOCUMENT.		DWN	JR RUTH	07DEC99	Tyco Electronics Corporation Harrisburg, PA 17105-3608	
DIMENSIONS:		CHK	M SPICER	07DEC99	NAME	
mm (inches)		APVD	M SPICER	07DEC99	TERMINAL, LONG BARREL, AMPOWER WIRE SIZE: 600 MCM	
TOLERANCES UNLESS OTHERWISE SPECIFIED:		PRODUCT SPEC		SIZE		
0 PLC ± -		APPLICATION SPEC		CAGE CODE	DRAWING NO	RESTRICTED TO
1 PLC ± -		WEIGHT		A3	00779	326222
2 PLC ± -		MATERIAL		SCALE		
3 PLC ± -		COPPER PER ASTM B75		1:1		
4 PLC ± -		FINISH		SHEET		
ANGLES ± -		TIN PLATE PER ASTM B545		1 OF 1		
		CUSTOMER DRAWING		REV		
				E1		