

4

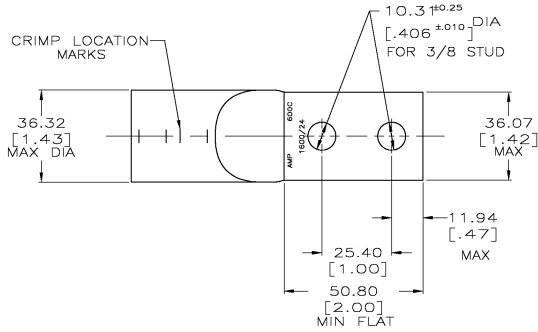
3

2

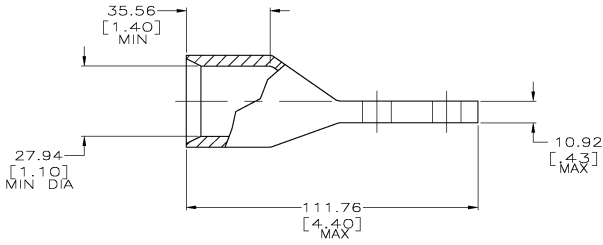
1

THIS DRAWING IS UNPUBLISHED. RELEASED FOR PUBLICATION.
 © COPYRIGHT BY TYCO ELECTRONICS CORPORATION. ALL RIGHTS RESERVED.

LOC	DIST	REVISIONS		JR/MS
P	LTR	DESCRIPTION	DATE	MIN
G	86	REV PER 063A-0130-04	23FEB04	JR MS



- △ TIN PL 0.00381[.000150] MIN THK PER ASTM B-545
- 2 CIRCULAR MIL RANGE: 550-650 MCM
- 3 CRIMP DIES: USE P/N 59870-1 (600HD MCM)



55830-2
 PART NO

THIS DRAWING IS A CONTROLLED DOCUMENT.		DRK SCHURM 1/17/92	 Tyco Electronics Corporation Harrisburg, Pa 17105-3608	TERMINAL, CENTER LINE TONGUE, AMPOWER, WIRE SIZE: 304.0mm[600] MCM	RESTRICTED TO
DIMENSIONS: INCHES		DRK KAUFMAN 1/17/92			
TOLERANCES UNLESS OTHERWISE SPECIFIED:		APP: CR RIGGARDS 1/17/92	DATE: A2	CASE CODE: 00779	REV: C
0 PLG ± .0005 1 PLG ± .0005 2 PLG ± .0005 3 PLG ± .0005 4 PLG ± .0005 ANGLES ± .5° FINISH - △		APPLICATION SPEC: -	SCALE: 1:1	SHEET: 1 of 1	REV: C
MATERIAL: COPPER ASTM B-75 ANNEALED		FINISH: - △	CUSTOMER DRAWING		

AMP 1431-9 REV 31 MAR 2000

55830

A