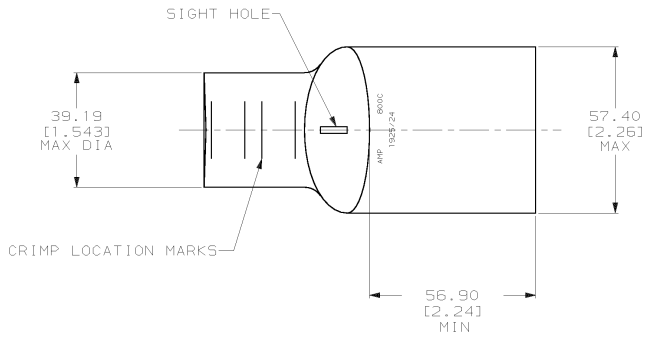
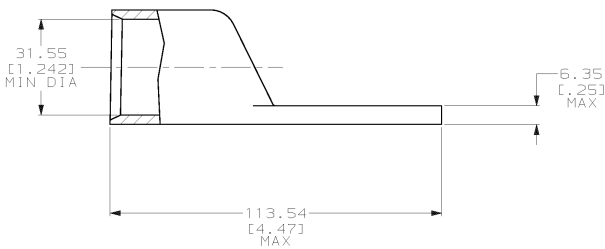


DRAWING MADE IN THIRD ANGLE PROJECTION
 THIS DRAWING IS UNPUBLISHED. RELEASED FOR PUBLICATION .19
 © COPYRIGHT 19 BY AMP INCORPORATED. ALL INTERNATIONAL RIGHTS RESERVED.

LOC	DIST	P	F	ZONE	LTR	REVISIONS	DATE	APPD
6	86				M	REV PER 063A-0561-01	090CT02	JR/MS



1 CIRCULAR MIL RANGE: 750-850 MCM



METRIC

2-326413-1

PART NO

DO NOT SCALE PRINT. UNLESS SPECIFIED DIMENSIONS IN mm (INCHES) TOLERANCES ON: 2 PLC DEC ± 0.51 (.020) 3 PLC DEC ± - ANGLES ± -	DR 04/05/90 DK SCHIRM	AMP INCORPORATED Harrisburg, Pa. 17105		
MATERIAL ANNEALED COPPER ASTM B-75	CHK 25JAN95 MS FEHER APPD 25JAN95 WJ VOCKROTH PRODUCT SPEC -			NAME TERMINAL, AMPPOWER™ WIRE SIZE: 800 MCM
FINISH CLEANED	APPLICATION SPEC -	SIZE C	CAGE CODE 00779	DRAWING NO 326413
WEIGHT .734 LB		SCALE 1:1	SHEET 1 OF 1	

CUSTOMER DRAWING

2-326413-1

A