

4

3

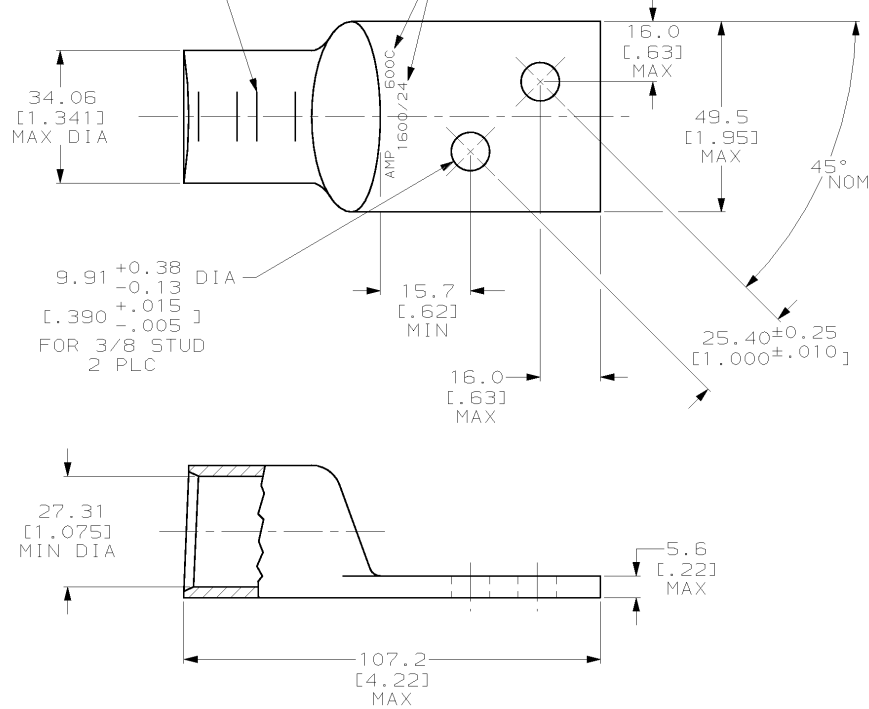
2

1

THIS DRAWING IS UNPUBLISHED. RELEASED FOR PUBLICATION  
 © COPYRIGHT 19 BY AMP INCORPORATED. ALL RIGHTS RESERVED.

LOC	DIST	REVISIONS			
P	LTR	DESCRIPTION	DATE	DWN	APVD
G	86				
	A	REV PER 0G3A-0561-01	07OCT02	JR	MS

CRIMP LOCATION MARKS



184256-1  
PART NUMBER

AMP INCORPORATED  
CUSTOMER SERVICE SYSTEMS

THIS DRAWING IS A CONTROLLED DOCUMENT FOR AMP INCORPORATED. IT IS SUBJECT TO CHANGE AND THE CONTROLLING ENGINEERING ORGANIZATION SHOULD BE CONTACTED FOR THE LATEST REVISION.

DWN DK SCHRUM 12MAY95  
CHK WJ VOCKROTH 15JAN96  
APVD JL MECKLEY 15JAN96

**AMP** AMP Incorporated  
Harrisburg, PA 17105-3608

FOR ADDITIONAL PRODUCT INFORMATION OR COPIES OF DRAWINGS AND TECHNICAL DOCUMENTS	PRODUCT INFORMATION CENTER 1-800-522-6752
FOR APPLICATION TOOLING INFORMATION	TOOLING ASSISTANCE CENTER 1-800-722-1111
FOR ORDER ENTRY	1-800-526-5142

RECOMMENDED OPERATING TEMPERATURE: 170° MAX
VOLTAGE RATING: NOT APPLICABLE
WIRE CROSS SECTIONAL AREA RANGE: 0.28-0.33mm <sup>2</sup> (550-650) MCM SOLID OR STRANDED

DIMENSIONS: mm (INCHES)	TOLERANCES UNLESS OTHERWISE SPECIFIED:
	0 PLC ±-
	1 PLC ±-
	2 PLC ±0.20 (.008)
	3 PLC ±-
	4 PLC ±-
	ANGLES ±-
MATERIAL: COPPER PER ASTM B-75 ANNEALED	FINISH: TIN PLATE 0.00381 (.000150) MIN THK PER MIL-T-10727

PRODUCT SPEC 108-30200	APPLICATION SPEC
WEIGHT .50 lbs	SIZE A3

NAME TERMINAL, AMPOWER, WIRE SIZE: 600 MCM	
SIZE A3	CAGE CODE 00779
DRAWING NO. C-184256	SCALE 1:1
SHEET 1 OF 1 REV A	