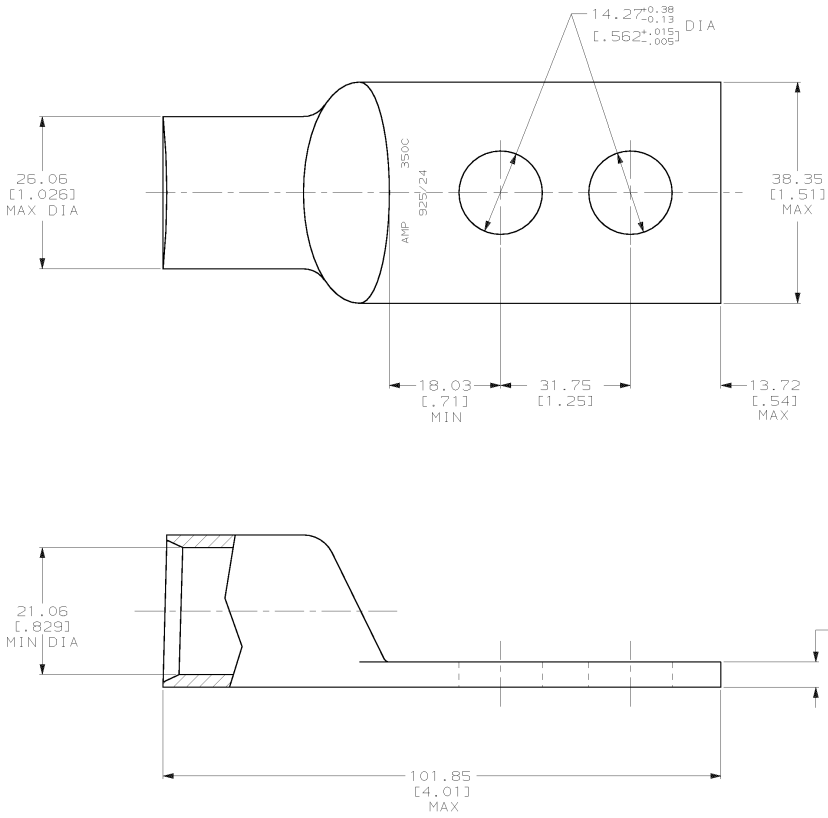


DRAWING MADE IN THIRD ANGLE PROJECTION  
 THIS DRAWING IS UNPUBLISHED. RELEASED FOR PUBLICATION .19  
 © COPYRIGHT 19 BY AMP INCORPORATED. ALL INTERNATIONAL RIGHTS RESERVED.

LOC		DIST		ZONE		LTR		REVISIONS		DATE	APPD
6	86	P	F					6	REV PER 063A-0561-01	0800T02	JR/MS



1 CIRCULAR MIL AREA RANGE: 325-375 MCM  
 TIN PL 0.00381(0.000150) MIN THK PER MIL-T-10727

**METRIC**

DO NOT SCALE PRINT. UNLESS SPECIFIED DIMENSIONS IN mm (INCHES) TOLERANCES ON: 2 PLC DEC ± 0.51(0.020) 3 PLC DEC ± - ANGLES ± -		DR 03/09/90 DK SCHIRM	325926-1 PART NO	
CHK 23JAN95 MS FEHER	APPD 23JAN95 WJ VOCKROTH	PRODUCT SPEC 108-30200	AMP INCORPORATED Morgantown, Pa. 17105	
MATERIAL ANNEALED COPPER ASTM B-75	FINISH △	APPLICATION SPEC -	NAME TERMINAL, AMPPOWER™ WIRE SIZE: 350 MCM	
WEIGHT .259 LB	SCALE 2:1	SIZE C	CAGE CODE 00779	DRAWING NO 325926
			SHEET 1 OF 1	