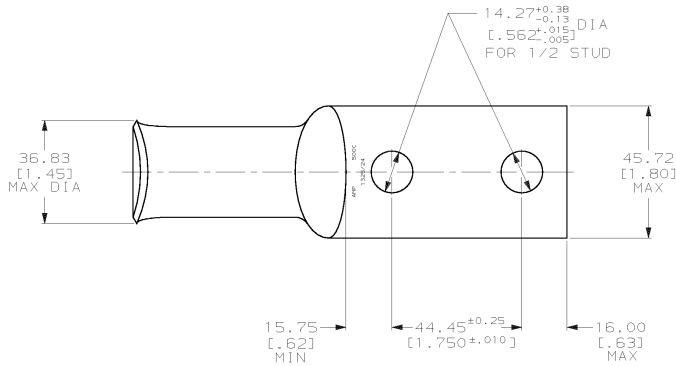
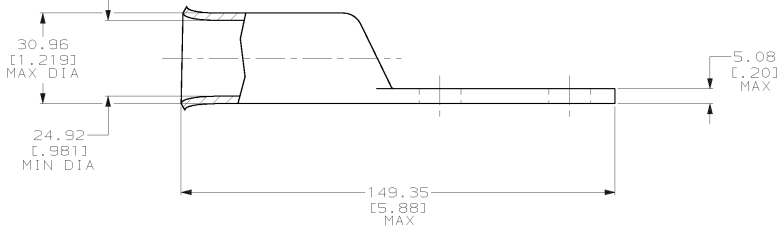


DRAWING MADE IN THIRD ANGLE PROJECTION
 THIS DRAWING IS UNPUBLISHED. RELEASED FOR PUBLICATION .19
 © COPYRIGHT 19 BY AMP INCORPORATED. ALL INTERNATIONAL RIGHTS RESERVED.

LOC	DIST	P	F	ZONE	LTR	REVISIONS	DATE	APPD
6	86				F	REV PER 063A-0561-01	030CT02	JR/MS



1 CIRCULAR MIL RANGE: 450-550 MCM
 TIN PL 0.00381 [0.000150] MIN THK PER MIL-T-10727



METRIC

53642-2 PART NO		AMP INCORPORATED Morgantown, Pa. 17105	
DO NOT SCALE PRINT. UNLESS SPECIFIED DIMENSIONS IN mm (INCHES) TOLERANCES ON: 2 PLC DEC ± 0.51 (.020) 3 PLC DEC ± - ANGLES ± -		NAME TERMINAL, AMPPOWER, WIRE SIZE: 500 MCM	
MATERIAL ANNEALED COPPER ASTM B-75		DRAWING NO 53642	
FINISH TIN PL		SIZE C	CAGE CODE 00779
APPLICATION SPEC -		SHEET 1 OF 1	
WEIGHT .572 LB		SCALE 1:1	