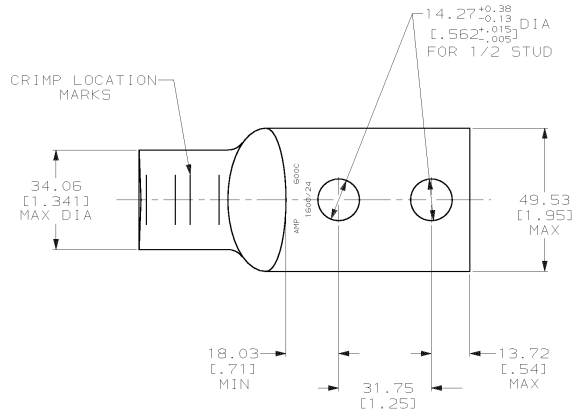
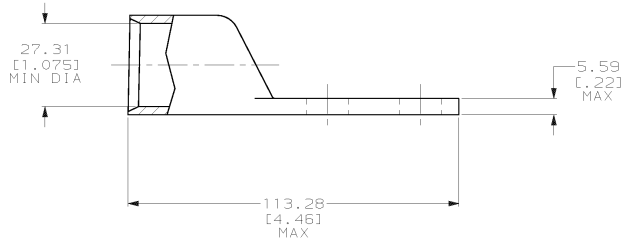


DRAWING MADE IN THIRD ANGLE PROJECTION  
 THIS DRAWING IS UNPUBLISHED. RELEASED FOR PUBLICATION .19  
 © COPYRIGHT 19 BY AMP INCORPORATED. ALL INTERNATIONAL RIGHTS RESERVED.

REVISIONS								
LOC	QTY	P	F	ZONE	LTR	DESCRIPTION	DATE	APPD
6	86				D	REV PER 063A-0561-01	0700T02	JR/MS



1 CIRCULAR MIL RANGE: 550-650 MCM  
 TIN PL 0.00381 [0.000150] MIN THK PER MIL-T-10727



**METRIC**

		276916-1	
		PART NO	
DO NOT SCALE PRINT. UNLESS SPECIFIED DIMENSIONS IN mm (INCHES) TOLERANCES ON: 2 PLC DEC ± 0.51 (0.020) 3 PLC DEC ± ANGLES ± -		DR 04/05/90 DK SCHIRM CHK 25JAN95 MS FEHER APPD 25JAN95 WJ VOCKROTH APPD 25JAN95 TL SHUTTER PRODUCT SPEC 108-30200	
MATERIAL ANNEALED COPPER ASTM B-75		NAME <b>AMP</b> AMP INCORPORATED Harrisburg, Pa. 17105 TERMINAL, AMPPOWER, WIRE SIZE: 600 MCM	
FINISH 		APPLICATION SPEC -	SIZE <b>C</b>
WEIGHT .514 LB		SCALE 1:1	CAGE CODE 00779 DRAWING NO 276916 SHEET 1 OF 1