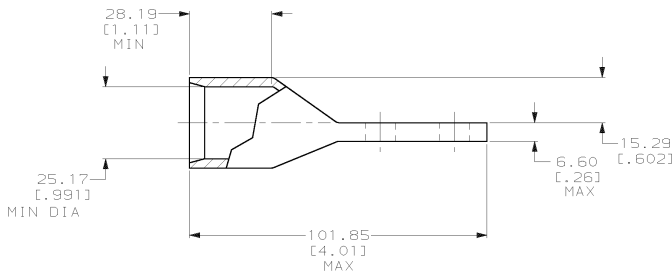
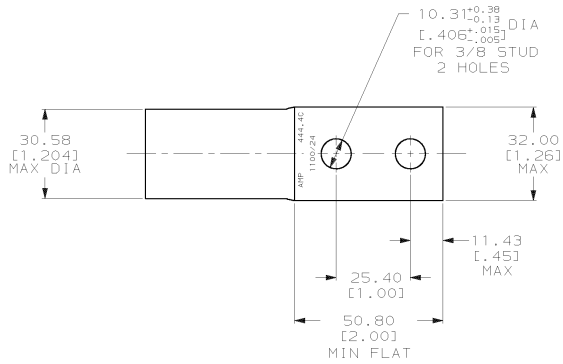


DRAWING MADE IN THIRD ANGLE PROJECTION

THIS DRAWING IS UNPUBLISHED. RELEASED FOR PUBLICATION .19  
 © COPYRIGHT 19 BY AMP INCORPORATED. ALL INTERNATIONAL RIGHTS RESERVED.

LOC	DIST	P	F	ZONE	LTR	REVISIONS	DATE	APPD	
6	86					C	REV PER 063A-0561-01	080CT02	3 <sup>rd</sup>



- TIN PL 0.00381[.000150] MIN THK PER MIL-T-10727
- 2 CRIMP DIES: P/N 46755-2 (500 MCM)  
HYDRAULIC HEAD: P/N 69082

**METRIC**

		326151-1	
		PART NO	
DO NOT SCALE PRINT. UNLESS SPECIFIED DIMENSIONS IN mm (INCHES) TOLERANCES ON: 2 PLC DEC ± 0.51(.020) 3 PLC DEC ± - ANGLES ± -		AMP INCORPORATED Harrisburg, Pa. 17105	
MATERIAL ANNEALED COPPER ASTM B-75		NAME TERMINAL, CENTERLINE TONGUE, AMPPOWER™ WIRE SIZE: 444.4 MCM	
FINISH △		SIZE C	CAGE CODE 00779
APPLICATION SPEC -		DRAWING NO 326151	
WEIGHT -		SCALE 1:1	SHEET 1 OF 1

326151

A