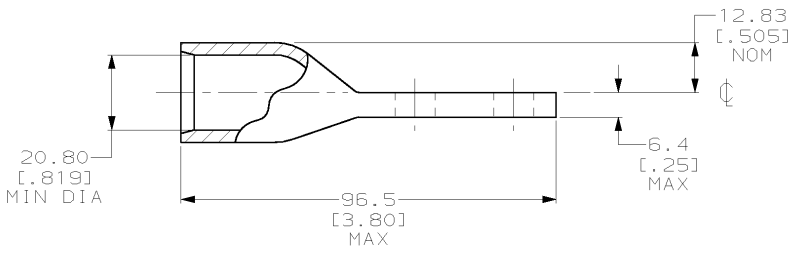
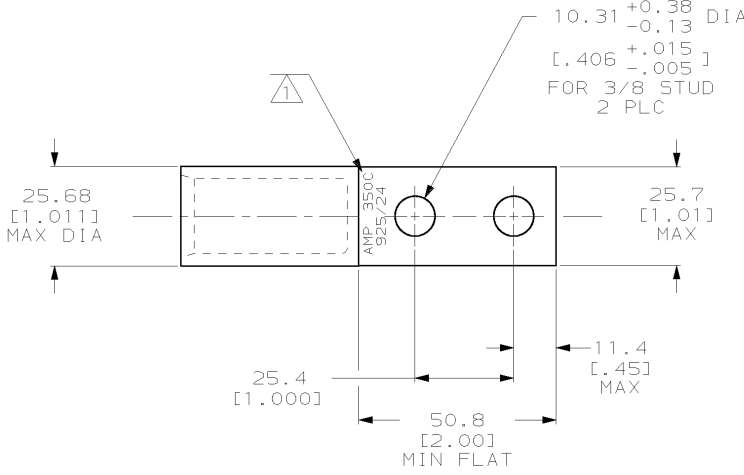


THIS DRAWING IS UNPUBLISHED.		RELEASED FOR PUBLICATION		REVOLUTIONS	
COPYRIGHT 19		BY AMP INCORPORATED. ALL RIGHTS RESERVED.		LOC	DIST
				G	86
P	LTR	DESCRIPTION		DATE	DWN
E		REV PER OG3A-0561-01		07OCT02	JR
					MS



277145-1
AMP
PART NUMBER

AMP INCORPORATED CUSTOMER SERVICE SYSTEMS			<small>THIS DRAWING IS A CONTROLLED DOCUMENT FOR AMP INCORPORATED. IT IS SUBJECT TO CHANGE AND THE CONTROLLING ENGINEERING ORGANIZATION SHOULD BE CONTACTED FOR THE LATEST REVISION.</small>		DWN: DK SCHRUM 02FEB96 CHK: WJ VOCKROTH 02FEB96 APVD: JL MECKLEY 02FEB96		AMP AMP Incorporated Harrisburg, PA 17105-3608		
FOR ADDITIONAL PRODUCT INFORMATION OR COPIES OF DRAWINGS AND TECHNICAL DOCUMENTS PRODUCT INFORMATION CENTER 1-800-522-6752		RECOMMENDED OPERATING TEMPERATURE: 170° MAX VOLTAGE RATING: NOT APPLICABLE		DIMENSIONS: mm (INCHES)		TOLERANCES UNLESS OTHERWISE SPECIFIED: 0 PLC ±- 1 PLC ±- 2 PLC ±0.20 (.008) 3 PLC ±- 4 PLC ±- ANGLES ±-		NAME: TERMINAL, CENTERLINE TONGUE, AMPOWER, WIRE SIZE: 350 MCM PRODUCT SPEC: 108-30200 APPLICATION SPEC:	
FOR APPLICATION TOOLING INFORMATION TOOLING ASSISTANCE CENTER 1-800-722-1111		WIRE CROSS SECTIONAL AREA RANGE: 0.16-0.19mm² [325-375] MCM SOLID OR STRANDED		MATERIAL: COPPER PER ASTM B-75 ANNEALED FINISH: TIN PLATE 0.00381(.000150) MIN THK PER MIL-T-10727		WEIGHT: .242 lbs SIZE: A3 CAGE CODE: 00779 DRAWING NO: C-277145		CUSTOMER DRAWING SCALE: 1:1 SHEET 1 OF 1 REV E	

AMP 1470-19 REV 09MAY94