

4

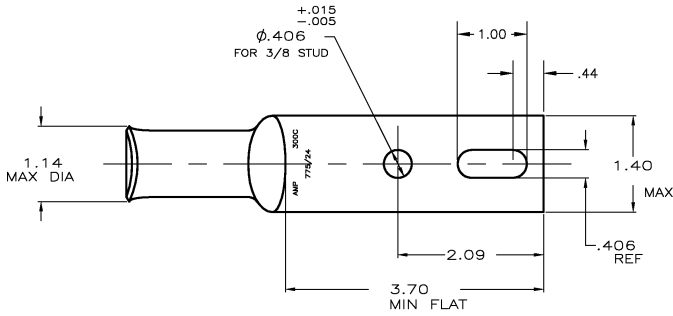
3

2

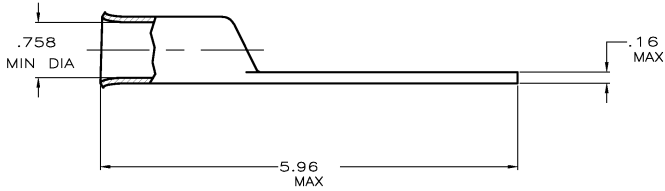
1

THIS DRAWING IS UNPUBLISHED. RELEASED FOR PUBLICATION  
 COPYRIGHT BY TYCO ELECTRONICS CORPORATION. ALL RIGHTS RESERVED.

LOC	DIST	REVISIONS			
P	LR	DESCRIPTION	DATE	BY	APP'D
G	86	A	REV PER 063A-0724-02	27NOV02	JR MS



1 CIRCULAR MIL RANGE: 275-325 MCM  
 TIN PL 0.00381[.000150] MIN THK PER ASTM B-545



605601-1  
 PART NO.

THIS DRAWING IS A CONTROLLED DOCUMENT.		DRW: J.R. RUTH 1300001	Tyco Electronics Corporation Harrisburg, PA 17105
DIMENSIONS: INCHES		CHK: C. KULYNYCH 1300001	
0 PL ± - 1 PL ± .000 2 PL ± .000 3 PL ± .000 4 PL ± .000 ANGLES ± .000 FINISH		DFG: J.M. SPICER 1300001 PRODUCT SPEC: 108-30200 APPLICATION SPEC: - WEIGHT: .35 LB MATERIAL: ANNEALED COPPER	NAME: J.M. SPICER 1300001 TITLE: TERMINAL, AMPOWER™ WIRE SIZE: 300 MCM SIZE: A2 ONE CODE: 00779 DRAWING NO: 605601 RESTRICTED TO: - SCALE: 1:1 SHEET: 1 OF 1 REV: A

AMP 1471-9 REV 31MAR2000

H:\dm\ecmod\

605601

A