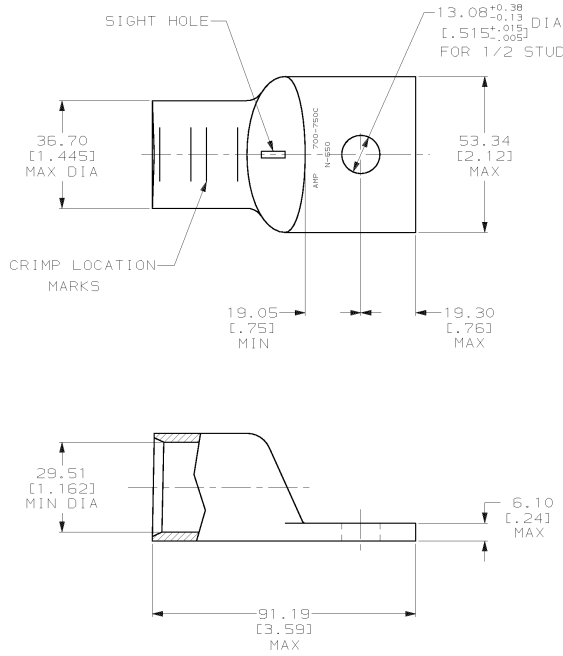


DRAWING MADE IN THIRD ANGLE PROJECTION  
 THIS DRAWING IS UNPUBLISHED. RELEASED FOR PUBLICATION .19  
 © COPYRIGHT 19 BY AMP INCORPORATED. ALL INTERNATIONAL RIGHTS RESERVED.

LOC		DIST		ZONE		LTR		REVISIONS		DATE	APPD
6	86	P	F			H		REV PER 063A-0561-01	080CT02	JR/H5	



1 CIRCULAR MIL RANGE: 650-750 MCM  
 TIN PL 0.00381 [1.000150] MIN THK PER MIL-T-10727



DO NOT SCALE PRINT. UNLESS SPECIFIED DIMENSIONS IN mm (INCHES) TOLERANCES ON: 2 PLC DEC ± 0.51 (.020) 3 PLC DEC ± - ANGLES ± -		DR 02/28/90 DK SCHIRM	326305 PART NO	
MATERIAL ANNEALED COPPER ASTM B-75	CHK 25JAN95 MS FEHER	APPD 25JAN95 WJ VOCKROTH	AMP AMP INCORPORATED Murrysburg, Pa. 17155	
FINISH △	PRODUCT SPEC 108-30200	APPD 25JAN95 TL SHUTTER	NAME TERMINAL, AMPPOWER,™ WIRE SIZE: 700 MCM	
APPLICATION SPEC -	SIZE C	SCALE 2:1	CAGE CODE 00779	DRAWING NO 326305
WEIGHT .493 LB			SHEET 1 OF 1	