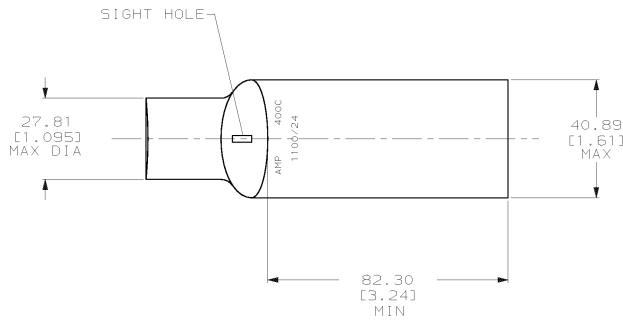
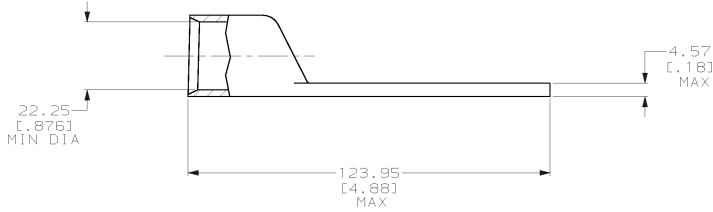


DRAWING MADE IN THIRD ANGLE PROJECTION
 THIS DRAWING IS UNPUBLISHED. RELEASED FOR PUBLICATION .19
 © COPYRIGHT 19 BY AMP INCORPORATED. ALL INTERNATIONAL RIGHTS RESERVED.

LOC		DIST		ZONE		LTR		REVISIONS		DATE	APPD
6	86	P	F					U	REV PER 063A-0561-01	080CT02	3 rd



1 CIRCULAR MIL AREA RANGE: 375-450 MCM
 △ TIN PL 0.00381 [0.000150] MIN THK PER MIL-T-10727



METRIC

		326016	
		PART NO	
DO NOT SCALE PRINT. UNLESS SPECIFIED DIMENSIONS IN mm [INCHES] TOLERANCES ON: 2 PLC DEC ± 0.51 (.020) 3 PLC DEC ± - ANGLES ± -		AMP INCORPORATED Morgantown, Pa. 17105	
DR 03/16/90 DK SCHIRM		NAME	
CHK 23JAN95 MS FEHER		TERMINAL, AMPPOWER,™ WIRE SIZE: 400 MCM	
APPD 23JAN95 WJ VOCKROTH		DRAWING NO	
MATERIAL ANNEALED COPPER ASTM B-75		326016	
PRODUCT SPEC 108-30200		SHEET 1 OF 1	
FINISH △		SIZE C	CAGE CODE 00779
APPLICATION SPEC -		DRAWING NO	
WEIGHT .403 LB		SCALE 1:1	