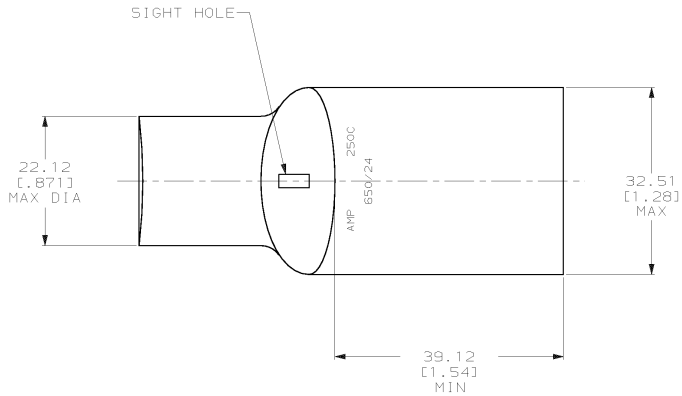
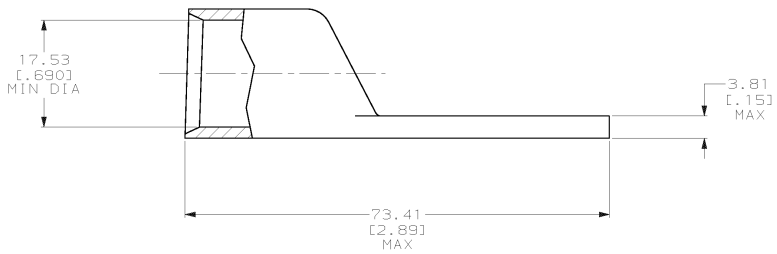


DRAWING MADE IN THIRD ANGLE PROJECTION  
 THIS DRAWING IS UNPUBLISHED. RELEASED FOR PUBLICATION .19  
 © COPYRIGHT 19 BY AMP INCORPORATED. ALL INTERNATIONAL RIGHTS RESERVED.

LOC	DIST	P	F	ZONE	LTR	REVISIONS	DATE	APPD
6	86				N	REV PER 063A-0561-01	080CT02	JR/MS



1 CIRCULAR MIL AREA RANGE: 231-275 MCM  
 △ TIN PL 0.00381 [1.000150] MIN THK PER MIL-T-10727



**METRIC**

DO NOT SCALE PRINT. UNLESS SPECIFIED DIMENSIONS IN mm [INCHES] TOLERANCES ON: 2 PLC DEC ± 0.51 [0.020] 3 PLC DEC ± - ANGLES ± -		DR 03/09/90 DK SCHRUM	325708 PART NO	
MATERIAL ANNEALED COPPER ASTM B-75	CHK 20JAN95 MS FEHER	APPD 20JAN95 WJ VOCKROTH	AMP AMP INCORPORATED Harrisburg, Pa. 17105	
FINISH △	APPD 20JAN95 TL SHUTTER	PRODUCT SPEC 108-30200	NAME TERMINAL, AMPPOWER, WIRE SIZE: 250 MCM	
WEIGHT .147 LB	APPLICATION SPEC -	SIZE C	CAGE CODE 00779	DRAWING NO 325708
		SCALE 2:1	SHEET 1 OF 1	