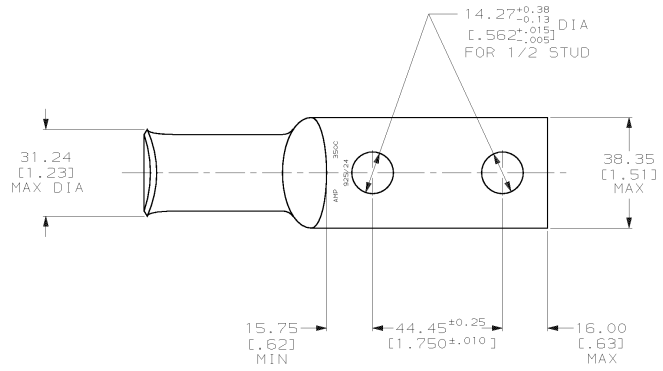
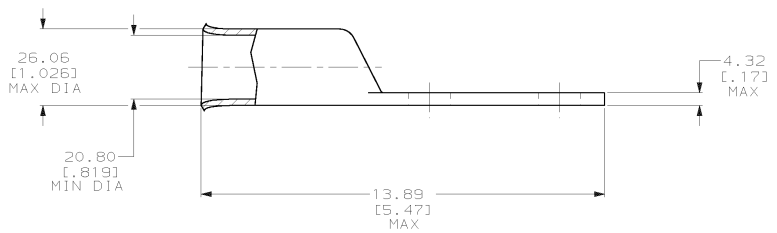


DRAWING MADE IN THIRD ANGLE PROJECTION
 THIS DRAWING IS UNPUBLISHED. RELEASED FOR PUBLICATION .19
 © COPYRIGHT 19 BY AMP INCORPORATED. ALL INTERNATIONAL RIGHTS RESERVED.

LOC	DIST	P	F	ZONE	LTR	REVISIONS	DATE	APPD
6	86					F REV PER 063A-0561-01	030CT02	JR/MS



1 CIRCULAR MIL RANGE: 325-375 MCM
 TIN PL 0.00381 [0.000150] MIN THK PER MIL-T-10727



METRIC

53641-2 PART NO		AMP INCORPORATED Morgantown, Pa. 17105	
DO NOT SCALE PRINT. UNLESS SPECIFIED DIMENSIONS IN mm (INCHES) TOLERANCES ON: 2 PLC DEC ± 0.51 (.020) 3 PLC DEC ± - ANGLES ± -		DR 02/28/90 DK SCHIRM	
MATERIAL ANNEALED COPPER ASTM B-75		CHK 23JAN95 MS FEHER	
FINISH		APPD 23JAN95 WJ VOCKROTH	
APPLICATION SPEC		APPD 23JAN95 TL SHUTTER	
WEIGHT .368 LB		SIZE C	CAGE CODE 00779
		SCALE 1:1	DRAWING NO 53641
			SHEET 1 OF 1