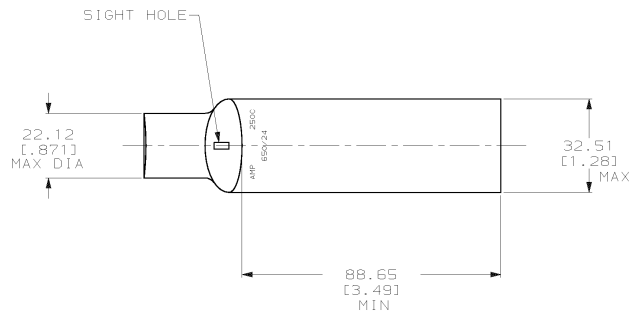
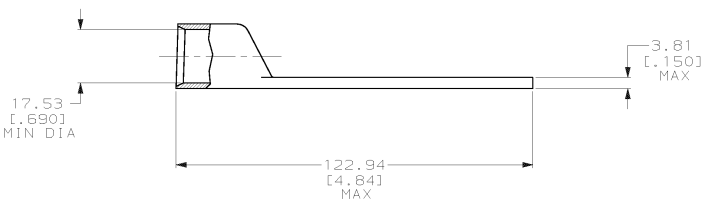


DRAWING MADE IN THIRD ANGLE PROJECTION  
 THIS DRAWING IS UNPUBLISHED. RELEASED FOR PUBLICATION .19  
 © COPYRIGHT 19 BY AMP INCORPORATED. ALL INTERNATIONAL RIGHTS RESERVED.

LOC		DIST		REVISIONS				DATE	APPD
6	86	P	F	ZONE	LTR	DESCRIPTION			
					R	REV PER 063A-0561-01	0800T02	JR/MS	



1 CIRCULAR MIL AREA RANGE: 231-275 MCM  
 TIN PL 0.00381 [.000150] THK PER MIL-T-10727



**METRIC**

		325712	
		PART NO	
DO NOT SCALE PRINT. UNLESS SPECIFIED DIMENSIONS IN mm (INCHES) TOLERANCES ON: 2 PLC DEC ± 0.51(.020) 3 PLC DEC ± - ANGLES ± -		DR 02/28/90 DK SCHIRM	
MATERIAL ANNEALED COPPER ASTM B-75		CHK 20JAN95 MS FEHER	
FINISH △		APPD 20JAN95 WJ VOCKROTH	
		NAME TERMINAL, AMPPOWER, WIRE SIZE: 250 MCM	
APPLICATION SPEC -		APPD 20JAN95 TL SHUTTER	
WEIGHT .248 LB		SIZE C	CAGE CODE 00779
		DRAWING NO 325712	SHEET 1 OF 1
		SCALE 1:1	