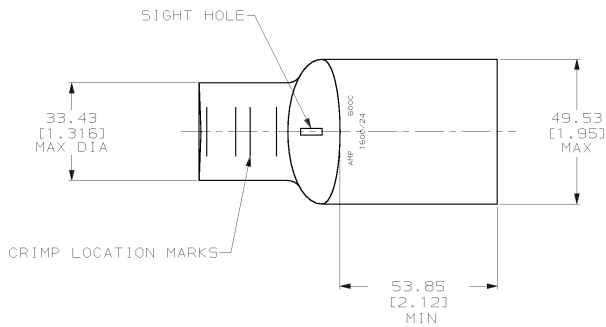
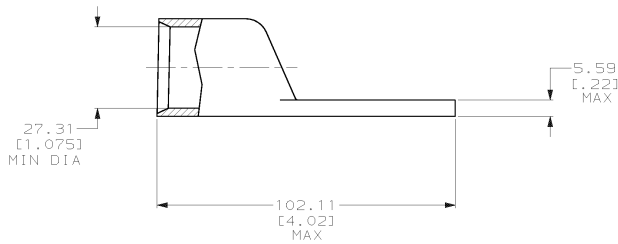


DRAWING MADE IN THIRD ANGLE PROJECTION  
 THIS DRAWING IS UNPUBLISHED. RELEASED FOR PUBLICATION .19  
 © COPYRIGHT 19 BY AMP INCORPORATED. ALL INTERNATIONAL RIGHTS RESERVED.

LOC	DIST	P	F	ZONE	LTR	DESCRIPTION	DATE	APPD
6	86				J	REV PER 063A-0561-01	080CT02	MS



1 CIRCULAR MIL RANGE: 550-650 MCM



**METRIC**

1-326211-1  
PART NO

DO NOT SCALE PRINT. UNLESS SPECIFIED DIMENSIONS IN mm (INCHES) TOLERANCES ON: 2 PLC DEC ± 0.51(.020) 3 PLC DEC ± - ANGLES ± -	DR 9/17/91 DK SCHIRM	AMP INCORPORATED Harrisburg, Pa. 17105	
MATERIAL ANNEALED COPPER ASTM B-75	CHK 9/17/91 AJ KAUFMAN		
FINISH CLEANED	APPD 9/18/91 AJ ADELMANN	PRODUCT SPEC -	SIZE C 00779
	APPLICATION SPEC -	DRAWING NO 326211	SHEET 1 OF 1
	WEIGHT .498 LB	SCALE 1:1	