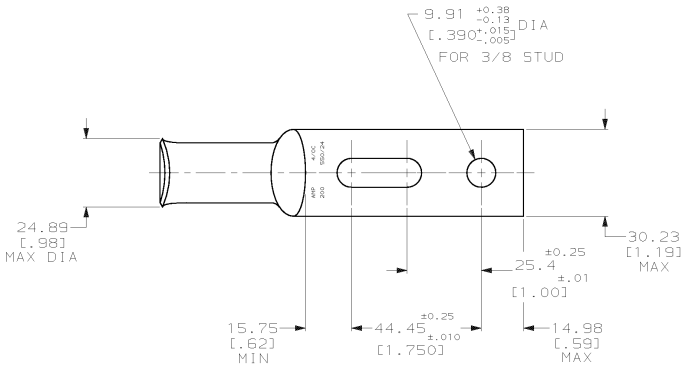
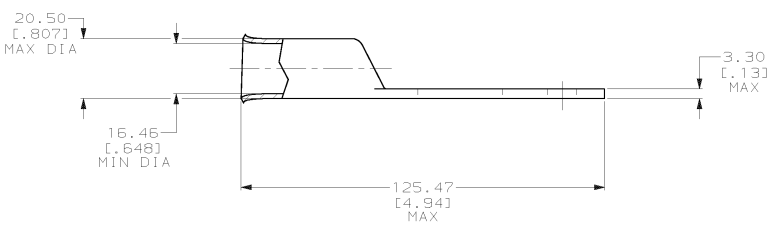


THIS DRAWING IS UNPUBLISHED. RELEASED FOR PUBLICATION .19
 © COPYRIGHT 19 BY AMP INCORPORATED. ALL INTERNATIONAL RIGHTS RESERVED.

LOC	DIST	P	F	ZONE	LTR	REVISIONS	DATE	APPR
6	86			A		REL PER 063A-0649-02	280CT02	WS



1 CIRCULAR MIL RANGE: 190,000-231,000 CM



THIS DRAWING IS A CONTROLLED DOCUMENT FOR AMP INCORPORATED. IT IS SUBJECT TO CHANGE AND THE CONTROLLING ENGINEERING ORGANIZATION SHOULD BE CONTACTED FOR THE LATEST REVISION.

		696460-1	
		PART NO	
DO NOT SCALE PRINT. UNLESS SPECIFIED DIMENSIONS IN mm [INCHES] TOLERANCES ON: 2 PLC DEC \pm 0.51 (.020) 3 PLC DEC \pm - ANGLES \pm -		AMP AMP Incorporated Harrisburg, PA 17105-3608	
MATERIAL COPPER ASTM B-188 ANNEALED		NAME TERMINAL, RECTANGULAR TONGUE, AMPPOWER™ WIRE SIZE: 4/0 AWG	
FINISH TIN PLATE 0.00381 [.000150] MIN THK PER MIL-T-10727		APPLICATION SPEC -	SIZE C 00779 CAGE CODE DRAWING NO C-696460
WEIGHT -		SCALE 1:1	SHEET 1 OF 1

AMP 1471-B REV 3-92
 16-MAY-02 10:17:35 amp13469 /ws/tesp/u.ir-proposals

CUSTOMER DRAWING