

4

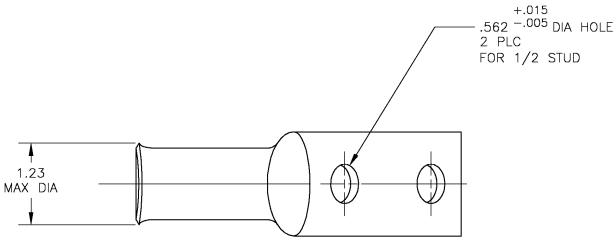
3

2

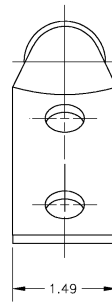
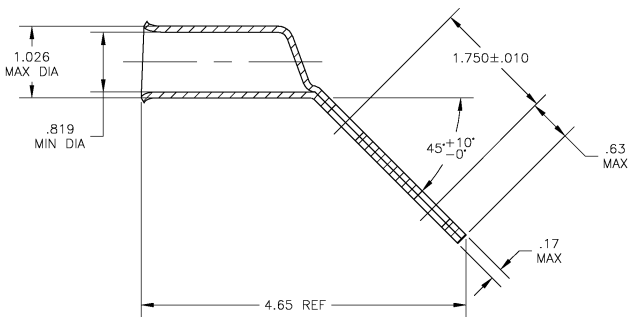
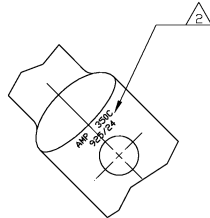
1

THIS DRAWING IS UNPUBLISHED. RELEASED FOR PUBLICATION. BY TYCO ELECTRONICS CORPORATION. ALL RIGHTS RESERVED.

LOC	QTY	REV	DESCRIPTION	DATE	BY	APP'D
G	86	0	PROPOSED	-	-	-



- 1 CIRCULAR MIL RANGE: 325-375 MCM
- 2 STAMP AMP 350C 925/24 ,LOCATE APPROX AS SHOWN.
- 3 .000150 MIN THK TIN PER ASTM B545
- 4 COPPER PER ASTM B-75, ANNEALED



696684-1
PART NO

THIS DRAWING IS A CONTROLLED DOCUMENT.		DRW: J. J. J.	28JAND4		Tyco Electronics Corporation Harrisburg, Pa 17105-3608
DIMENSIONS: INCHES		CHK: M. SPICER	28JAND4		NAME: M. SPICER
TOLERANCES UNLESS OTHERWISE SPECIFIED:		PROD. SPEC: 108-30200	28JAND4	APPLICATION SPEC: -	TERMINAL, AMPPOWER BENT 45. WIRE SIZE 350 MCM
MATERIAL: - 4		HEIGHT: -	FINISH: - 3	SIZE: A2	CASE CODE: 00779
		CUSTOMER DRAWING		DRAWING NO: C-696684	SCALE: 1:1
				SHEET 1 OF 1 REV 0	