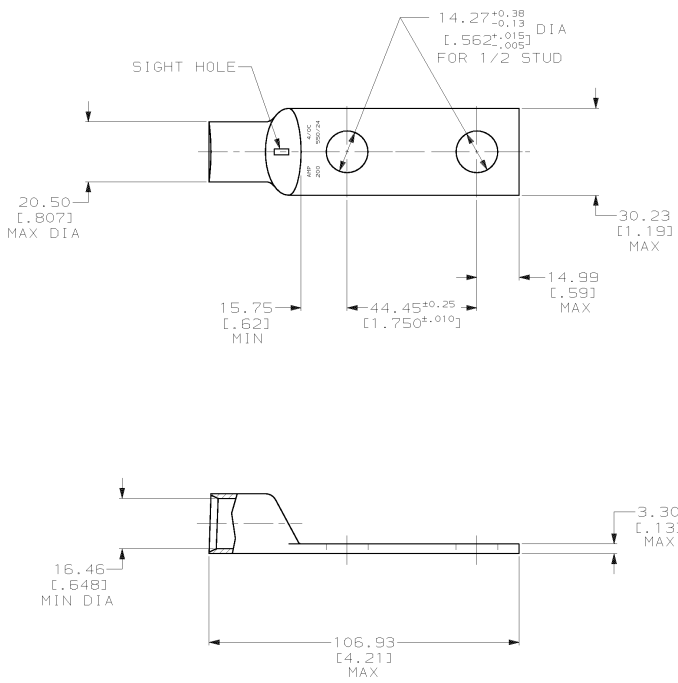


THIS DRAWING IS UNPUBLISHED. RELEASED FOR PUBLICATION .19
 © COPYRIGHT 19 BY AMP INCORPORATED. ALL INTERNATIONAL RIGHTS RESERVED.

LOC	DIST	P	F	ZONE	LTR	REVISIONS	DATE	APPO
6	86				L	REV PER 063A-0561-01	080302	JR/HB

- 1 CIRCULAR MIL RANGE: 190,000-231,000 CM
- 2 TIN PLATE 0.00381 [0.00150] MIN THK PER ASTM B 545.
- 3 CLEANED, UNPLATED



THIS DRAWING IS A CONTROLLED DOCUMENT FOR AMP INCORPORATED. IT IS SUBJECT TO CHANGE AND THE CONTROLLING ENGINEERING ORGANIZATION SHOULD BE CONTACTED FOR THE LATEST REVISION.

FINISH		327284-2	
PART NO		327284	
AMP AMP Incorporated Harrisburg, PA 17105-3608			
NAME			
TERMINAL, AMPPOWER,™ WIRE SIZE: 4/0 AWG			
MATERIAL		SIZE	CAGE CODE
COPPER PER ASTM B-75 ANNEALED		00779	00779
FINISH		DRAWING NO	
SEE TABLE		C-327284	
WEIGHT .164 LBS		SCALE 1:1	SHEET 1 OF 1