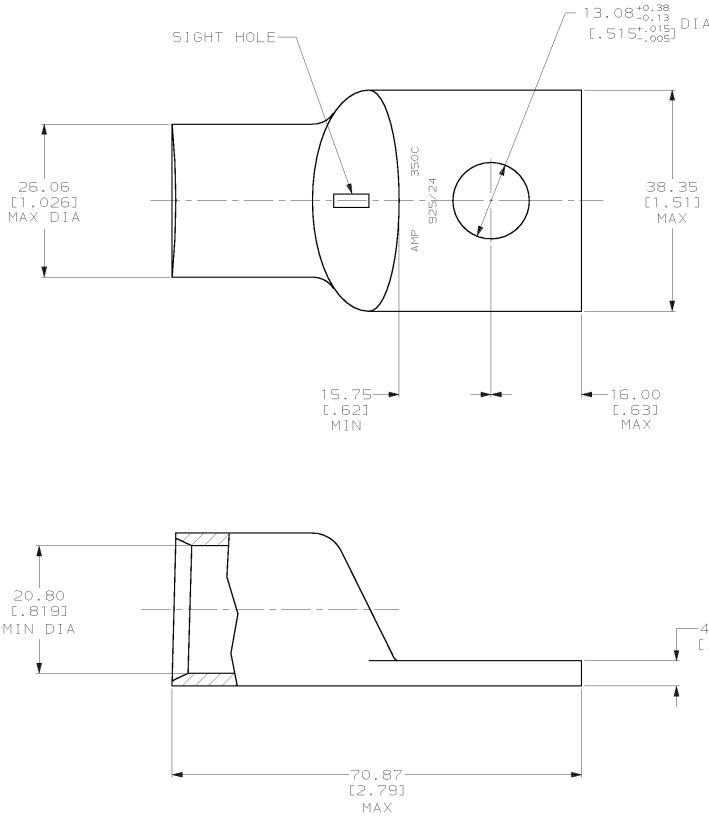


DRAWING MADE IN THIRD ANGLE PROJECTION  
 THIS DRAWING IS UNPUBLISHED. RELEASED FOR PUBLICATION .19  
 © COPYRIGHT 19 BY AMP INCORPORATED. ALL INTERNATIONAL RIGHTS RESERVED.

LOC		DIST		ZONE		LTR		REVISIONS		DATE	APPD
6	86	P	F					L	REV PER 063A-0561-01	0800T02	3 <sup>rd</sup>



1 CIRCULAR MIL AREA RANGE: 325-375 MCM  
 △ TIN PL 0.00381 [0.00150] MIN THK PER MIL-T-10727

**METRIC**

DO NOT SCALE PRINT. UNLESS SPECIFIED DIMENSIONS IN mm [INCHES] TOLERANCES ON: 2 PLC DEC ± 0.51 [0.020] 3 PLC DEC ± - ANGLES ± -		DR 02/28/90 DK SCHIRM	325905 PART NO	
MATERIAL ANNEALED COPPER ASTM B-75	CHK 23JAN95 MS FEHER	APPD 23JAN95 WJ VOCKROTH	AMP INCORPORATED Murrysburg, Pa. 17155	
FINISH △	PRODUCT SPEC 108-30200	APPD 23JAN95 TL SHUTTER	NAME TERMINAL, AMPPOWER™ WIRE SIZE: 350MCM	
APPLICATION SPEC -	SCALE 2:1	SIZE C	CAGE CODE 00779	DRAWING NO 325905
WEIGHT .188 LB			SHEET	1 OF 1