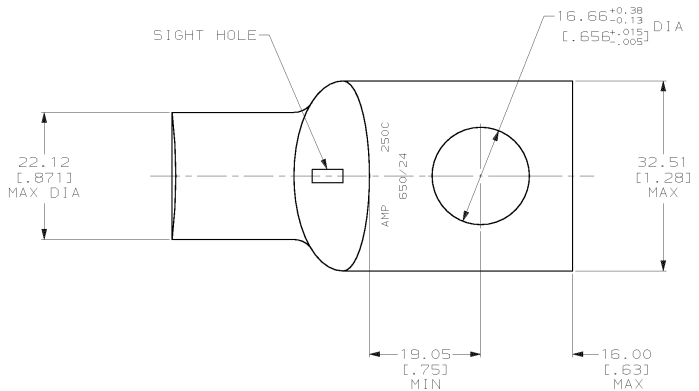
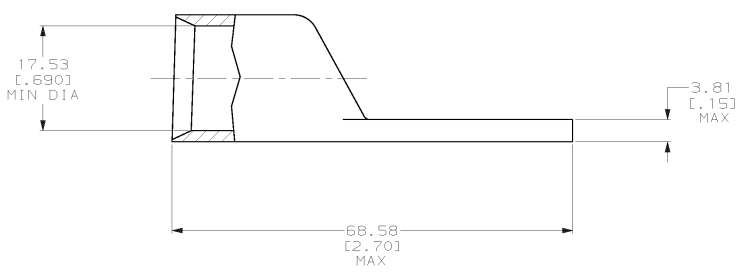


DRAWING MADE IN THIRD ANGLE PROJECTION  
 THIS DRAWING IS UNPUBLISHED. RELEASED FOR PUBLICATION .19  
 © COPYRIGHT 19 BY AMP INCORPORATED. ALL INTERNATIONAL RIGHTS RESERVED.

LOC	DIST	P	F	ZONE	LTR	REVISIONS	DATE	APPD
6	86				N	REV PER 063A-0561-01	0800T02	JR/MS



1 CIRCULAR MIL AREA RANGE: 231-275 MCM  
 TIN PL 0.00381 [0.000150] MIN THK PER MIL-T-10727



**METRIC**

DO NOT SCALE PRINT. UNLESS SPECIFIED DIMENSIONS IN mm (INCHES) TOLERANCES ON: 2 PLC DEC ± 0.51 (0.020) 3 PLC DEC ± - ANGLES ± -		DR 03/16/90 DK SCHIRM	325707 PART NO	
MATERIAL ANNEALED COPPER ASTM B-75	CHK 20JAN95 MS FEHER	APPD 20JAN95 WJ VOCKROTH	AMP INCORPORATED Murrysburg, Pa. 17155	
FINISH △	APPD 20JAN95 TL SHUTTER	PRODUCT SPEC 108-30200	NAME TERMINAL, AMPPOWER, WIRE SIZE: 250 MCM	
WEIGHT .123 LB	APPLICATION SPEC -	SIZE C	CAGE CODE 00779	DRAWING NO 325707
		SCALE 2:1	SHEET 1 OF 1	