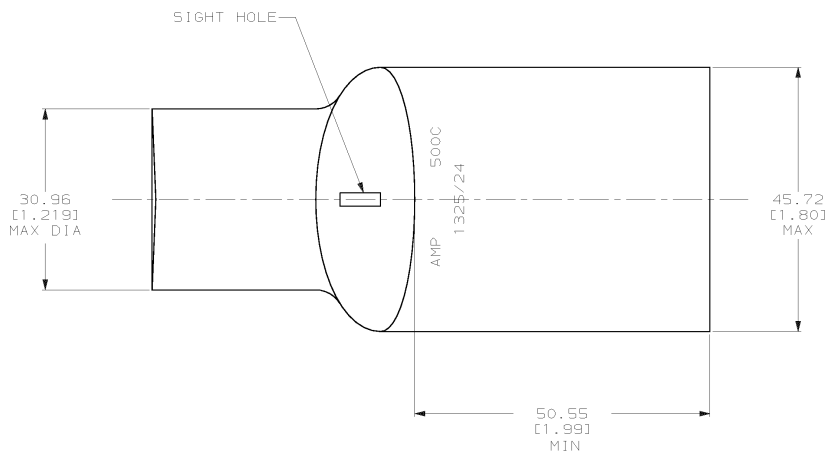
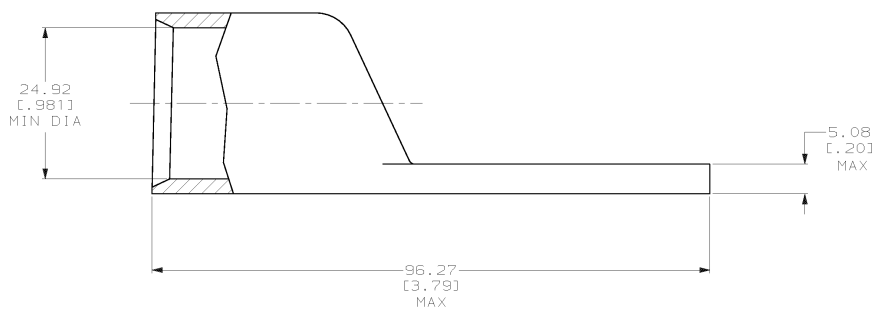


DRAWING MADE IN THIRD ANGLE PROJECTION  
 THIS DRAWING IS UNPUBLISHED. RELEASED FOR PUBLICATION .19  
 © COPYRIGHT 19 BY AMP INCORPORATED. ALL INTERNATIONAL RIGHTS RESERVED.

| LOC |    | DIST |   | ZONE |  | LTR |  | REVISIONS |                      | DATE    | APPD            |
|-----|----|------|---|------|--|-----|--|-----------|----------------------|---------|-----------------|
| 6   | 86 | P    | F |      |  |     |  | R         | REV PER 063A-0561-01 | 0800T02 | 3 <sup>rd</sup> |



1 CIRCULAR MIL AREA RANGE: 450-550 MCM



|   |                            |                             |   |                      |
|---|----------------------------|-----------------------------|---|----------------------|
| DO NOT SCALE PRINT.<br>UNLESS SPECIFIED<br>DIMENSIONS IN mm (INCHES)<br>TOLERANCES ON:<br>2 PLC DEC ± 0.51(.020)<br>3 PLC DEC ±<br>ANGLES ± - |                            | DR 03/09/90<br>DK SCHIRM    | 2-326111-1<br>PART NO                             |                      |
| MATERIAL<br>ANNEALED COPPER<br>ASTM B-75  | CHK 24JAN95<br>MS FEHER    | APPD 24JAN95<br>WJ VOCKROTH | AMP AMP INCORPORATED<br>Harrisburg, Pa. 17105     |                      |
| FINISH<br>CLEANED   | APPD 24JAN95<br>TL SHUTTER | PRODUCT SPEC<br>108-30200   | NAME<br>TERMINAL, AMPPOWER™<br>WIRE SIZE: 500 MCM |                      |
|   | APPLICATION SPEC<br>-      | SIZE<br>C                   | CAGE CODE<br>00779                                | DRAWING NO<br>326111 |
|   | WEIGHT .386 LB             | SCALE<br>2:1                | SHEET 1 OF 1                                      |                      |