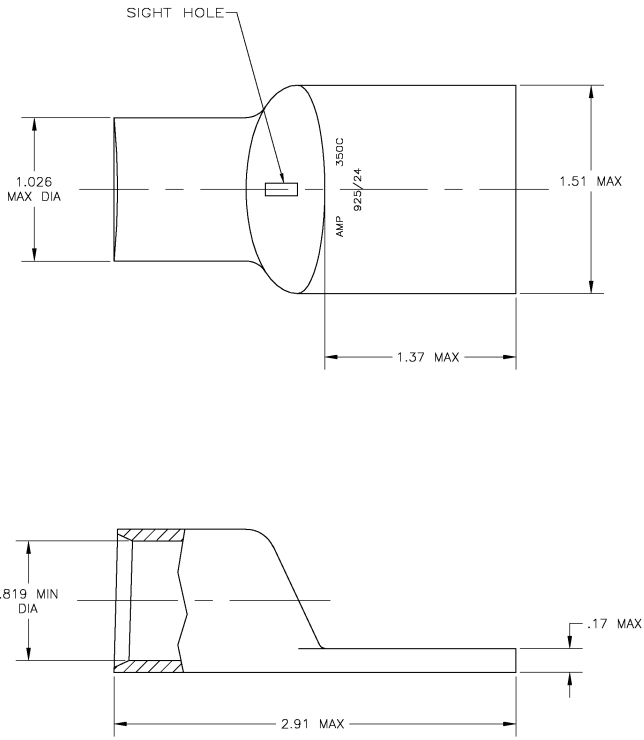


4 3 2 1

THIS DRAWING IS UNPUBLISHED. RELEASED FOR PUBLICATION
 © COPYRIGHT BY TYCO ELECTRONICS CORPORATION. ALL RIGHTS RESERVED.

LOC		DIST		REVISIONS			
P	LN	REV	PER	DESCRIPTION	DATE	BY	APPD
	N	REV PER	OG3A-0481-03		08AUG03	JR	MS



- 1 CIRCULAR MIL AREA RANGE: 325-375 MCM
- △ TIN PL .000150 MIN THK PER ASTM B 545
- △ CLEANED, UNPLATED
- △ ANNEALED COPPER PER ASTM B-75

325906-3	
325906	
FINISH	PART NO.
Tyco Electronics Corporation Harrisburg, PA 17105	
TERMINAL, AMPPOWER, WIRE SIZE: 350 MCM	
SIZE	CASE CODE
A2	00779
325906	
SCALE	SHEET
2:1	1 of 1
REV	N

THIS DRAWING IS A CONTROLLED DOCUMENT.		DRG	JK SCHIRM	03/99/90
		CHK	MS FRHIER	23JAN93
		APP	M SPICER	23JAN93
		ENG	M SPICER	23JAN93
		DESIGN	M SPICER	23JAN93
		PRODUCT SPEC	108-30200	
		APPLICATION SPEC		
		WEIGHT	.207 LB	
		CUSTOMER DRAWING		

AMP 1421-9 REV 31MAR2000
 H:\dm\ecmod\