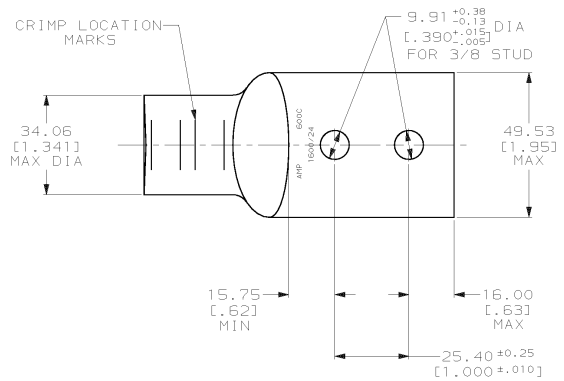
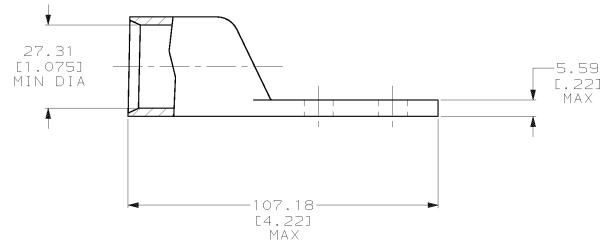


DRAWING MADE IN THIRD ANGLE PROJECTION
 THIS DRAWING IS UNPUBLISHED. RELEASED FOR PUBLICATION .19
 © COPYRIGHT 19 BY AMP INCORPORATED. ALL INTERNATIONAL RIGHTS RESERVED.

LOC	DIST	P	F	ZONE	LTR	REVISIONS	DATE	APPD
6	86					U REV PER 063A-0561-01	090CT02	3 rd



1 CIRCULAR MIL RANGE: 550-650 MCM
 TIN PL 0.00381 [.000150] MIN THK PER MIL-T-10727



NONE	326809-1
REGD	326809
SIGHT HOLE	PART NO

DO NOT SCALE PRINT. UNLESS SPECIFIED DIMENSIONS IN mm (INCHES) TOLERANCES ON: 2 PLC DEC ± 0.51(.020) 3 PLC DEC ± ANGLES ± -	DR 03/09/90 DK SCHRUM	AMP INCORPORATED Harrisburg, Pa. 17105 NAME TERMINAL, AMPPOWER™ WIRE SIZE: 600 MCM						
MATERIAL ANNEALED COPPER ASTM B-75	CHK 25JAN95 MS FEHER APPD 25JAN95 WJ VOCKROTH PRODUCT SPEC 108-30200							
FINISH 	APPLICATION SPEC -							
WEIGHT .498 LB	SCALE 1:1	<table border="1"> <tr> <td>SIZE C</td> <td>CAGE CODE 00779</td> <td>DRAWING NO 326809</td> </tr> <tr> <td colspan="2"></td> <td>SHEET 1 OF 1</td> </tr> </table>	SIZE C	CAGE CODE 00779	DRAWING NO 326809			SHEET 1 OF 1
SIZE C	CAGE CODE 00779	DRAWING NO 326809						
		SHEET 1 OF 1						

METRIC