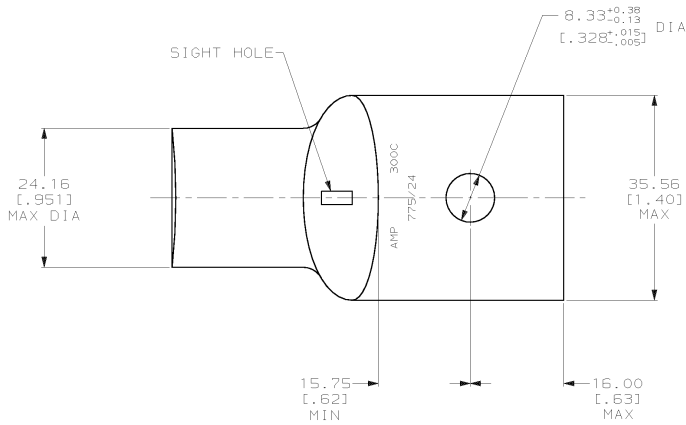
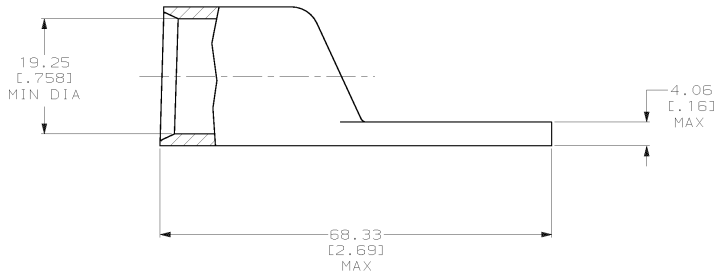


DRAWING MADE IN THIRD ANGLE PROJECTION
 THIS DRAWING IS UNPUBLISHED. RELEASED FOR PUBLICATION .19
 © COPYRIGHT 19 BY AMP INCORPORATED. ALL INTERNATIONAL RIGHTS RESERVED.

REVISIONS								
LOC	QTY	P	F	ZONE	LTR	DESCRIPTION	DATE	APPD
6	86					REV PER 063A-0561-01	0800T02	JR/H5



1 CIRCULAR MIL AREA RANGE: 275-325 MCM
 TIN PL 0.00381 [0.000150] MIN THK PER MIL-T-10727



METRIC

DO NOT SCALE PRINT. UNLESS SPECIFIED DIMENSIONS IN mm (INCHES) TOLERANCES ON: 2 PLC DEC ± 0.51 (.020) 3 PLC DEC ± ANGLES ± -		DR 03/09/90 DK SCHIRM	325802 PART NO	
MATERIAL ANNEALED COPPER ASTM B-75	CHK 23JAN95 MS FEHER	APPD 23JAN95 WJ VOCKROTH	AMP INCORPORATED Murrysburg, Pa. 17155	
FINISH △	PRODUCT SPEC 108-30200	APPLICATION SPEC -	NAME TERMINAL, AMPPOWER,™ WIRE SIZE: 300 MCM	
WEIGHT .162 LB	SIZE C	CAGE CODE 00779	DRAWING NO 325802	SHEET 1 OF 1
	SCALE 2:1			

325802

A