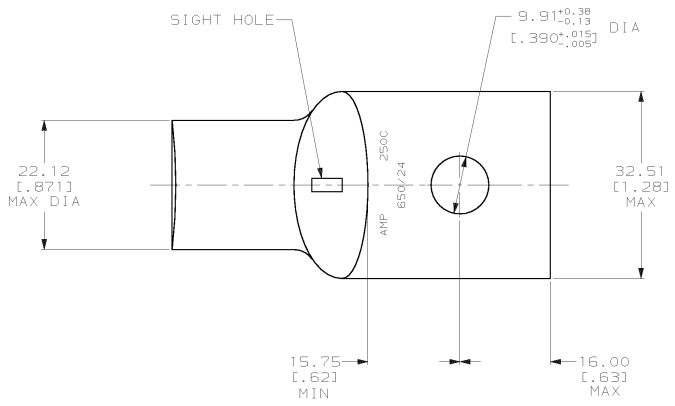
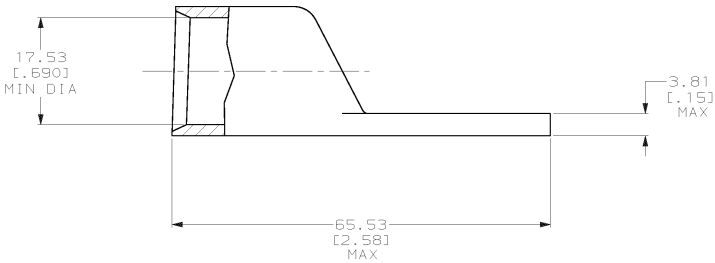


DRAWING MADE IN THIRD ANGLE PROJECTION
 THIS DRAWING IS UNPUBLISHED. RELEASED FOR PUBLICATION .19
 © COPYRIGHT 19 BY AMP INCORPORATED. ALL INTERNATIONAL RIGHTS RESERVED.

| LOC | | DIST | | ZONE | | LTR | | REVISIONS | | DATE | APPD |
|-----|----|------|---|------|--|-----|--|-----------|----------------------|---------|-------|
| 6 | 86 | P | F | | | | | N | REV PER 063A-0561-01 | 0800T02 | JR/MS |



1 CIRCULAR MIL AREA RANGE: 231-275 MCM
 TIN PL 0.00381 [0.000150] MIN THK PER MIL-T-10727



METRIC

| | | | | |
|--|-----------------------------|---|--------------------|----------------------|
| DO NOT SCALE PRINT. UNLESS SPECIFIED DIMENSIONS IN mm (INCHES) TOLERANCES ON: 2 PLC DEC ± 0.51 (.020) 3 PLC DEC ± - ANGLES ± - | | DR 02/28/90 DK SCHRUM | 325703 PART NO | |
| CHK 20JAN95 MS FEHER | APPD 20JAN95 WJ VOCKROTH | AMP INCORPORATED Morgantown, Pa. 17105 | | |
| MATERIAL ANNEALED COPPER ASTM B-75 | PRODUCT SPEC 108-30200 | NAME TERMINAL, AMPPOWER, WIRE SIZE: 250 MCM | | |
| FINISH △ | APPLICATION SPEC - | SIZE C | CAGE CODE 00779 | DRAWING NO 325703 |
| WEIGHT .126 LB | SCALE 2:1 | SHEET 1 OF 1 | | |

325703

A