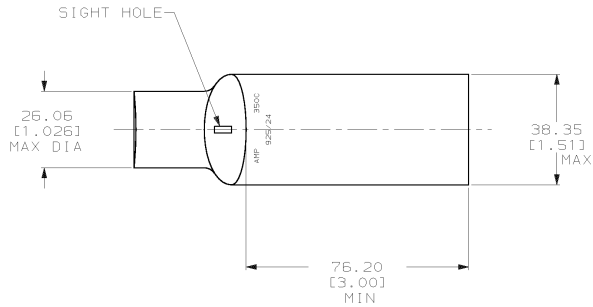
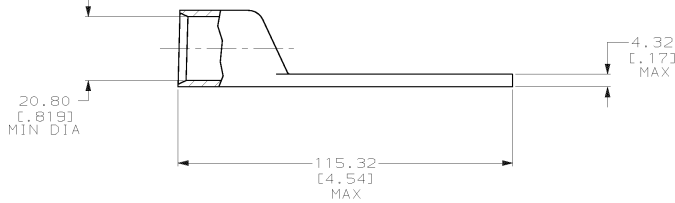


DRAWING MADE IN THIRD ANGLE PROJECTION  
 THIS DRAWING IS UNPUBLISHED. RELEASED FOR PUBLICATION .19  
 © COPYRIGHT 19 BY AMP INCORPORATED. ALL INTERNATIONAL RIGHTS RESERVED.

LOC	DIST	P	F	ZONE	LTR	REVISIONS	DATE	APPD
6	86				L	REV PER 063A-0561-01	080CT02	



1 CIRCULAR MIL AREA RANGE: 325-375 MCM  
 △ TIN PL 0.00381 [0.000150] THK PER MIL-T-10727



**METRIC**

		325917	
		PART NO	
DO NOT SCALE PRINT. UNLESS SPECIFIED DIMENSIONS IN mm [INCHES] TOLERANCES ON: 2 PLC DEC ± 0.51 [0.020] 3 PLC DEC ± - ANGLES ± -		AMP INCORPORATED Murrysburg, Pa. 17165	
MATERIAL ANNEALED COPPER ASTM B-75		NAME TERMINAL, AMPPOWER,™ WIRE SIZE: 350 MCM	
FINISH △		SIZE C	CAGE CODE 00779
APPLICATION SPEC -		DRAWING NO 325917	
WEIGHT .325 LB		SCALE 1:1	SHEET 1 OF 1

325917

A