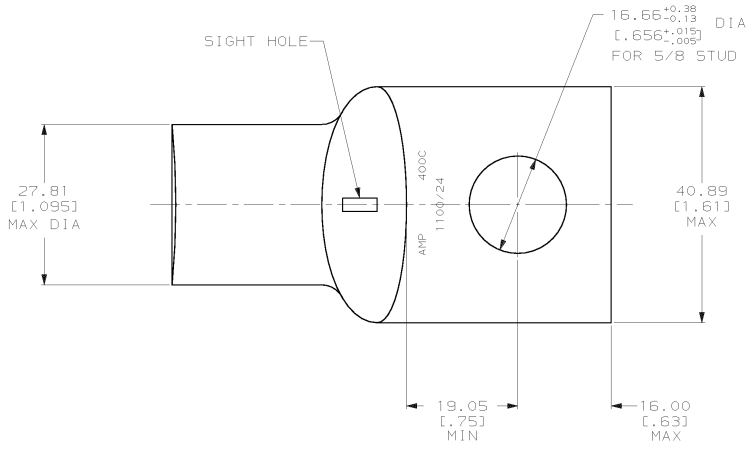
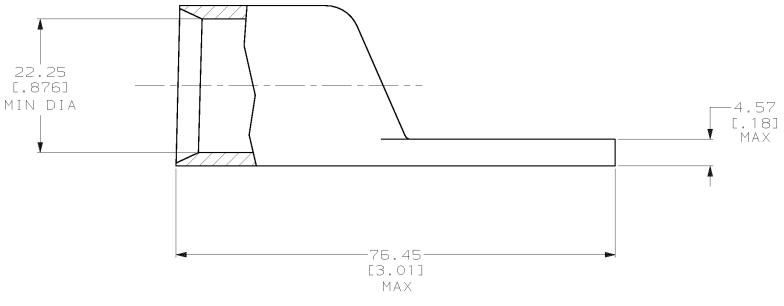


DRAWING MADE IN THIRD ANGLE PROJECTION
 THIS DRAWING IS UNPUBLISHED. RELEASED FOR PUBLICATION .19
 © COPYRIGHT 19 BY AMP INCORPORATED. ALL INTERNATIONAL RIGHTS RESERVED.

LOC	DIST	P	F	ZONE	LTR	REVISIONS	DATE	APPD
6	86					REV PER 063A-0561-01	080CT02	3 rd



1 CIRCULAR MIL AREA RANGE: 375-450 MCM
 TIN PL 0.00381 [0.000150] MIN THK PER MIL-T-10727



METRIC

DO NOT SCALE PRINT. UNLESS SPECIFIED DIMENSIONS IN mm [INCHES] TOLERANCES ON: 2 PLC DEC ± 0.51 [0.020] 3 PLC DEC ± - ANGLES ± -		DR 03/16/90 DK SCHIRM	326007 PART NO	
CHK 23JAN95 MS FEHER	APPD 23JAN95 WJ VOCKROTH	AMP INCORPORATED Morgantown, Pa. 17105		
MATERIAL ANNEALED COPPER ASTM B-75	PRODUCT SPEC 108-30200	NAME TERMINAL, AMPPOWER,™ WIRE SIZE: 400 MCM		
FINISH △	APPLICATION SPEC -	SIZE C	CAGE CODE 00779	DRAWING NO 326007
WEIGHT .229 LB	SCALE 2:1	SHEET 1 OF 1		