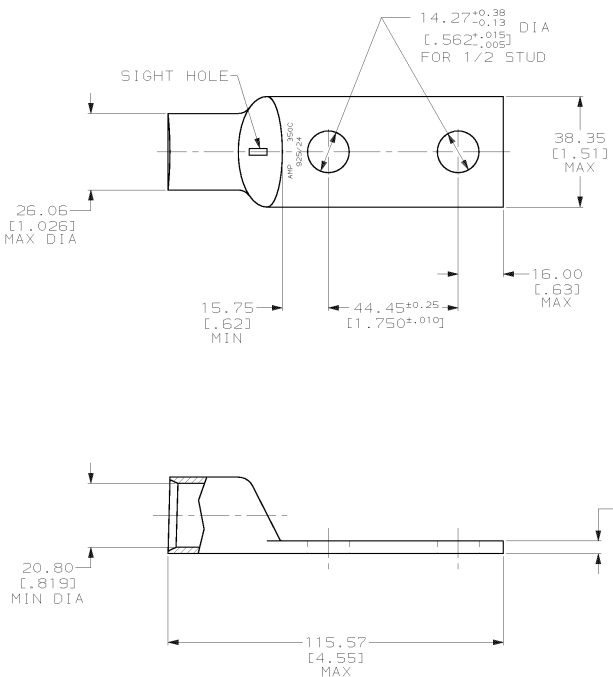
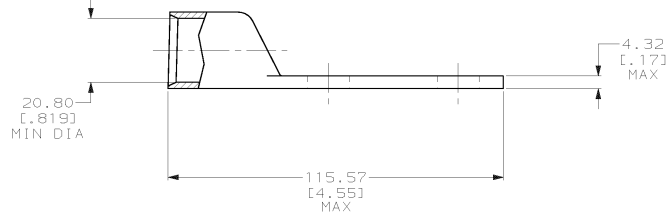


DRAWING MADE IN THIRD ANGLE PROJECTION
 THIS DRAWING IS UNPUBLISHED. RELEASED FOR PUBLICATION .19
 © COPYRIGHT 19 BY AMP INCORPORATED. ALL INTERNATIONAL RIGHTS RESERVED.

LOC	DIST	P	F	ZONE	LTR	REVISIONS	DATE	APPD
6	86				M	REV PER 063A-0561-01	0900T02	JR/MS



- 1 CIRCULAR MIL AREA RANGE: 325-375 MCM
- △ TIN PL 0.00381 [1.000150] MIN THK PER ASTM B 545
- △ CLEANED, UNPLATED



METRIC

△	327287-3
△	327287
FINISH	PART NO

DO NOT SCALE PRINT. UNLESS SPECIFIED DIMENSIONS IN mm (INCHES) TOLERANCES ON: 2 PLC DEC ± 0.51 (1.020) 3 PLC DEC ± - ANGLES ± -	DR 02/28/90 DK SCHIRM	AMP AMP INCORPORATED Harrisburg, Pa. 17105 NAME TERMINAL, AMPPOWER™ WIRE SIZE: 350 MCM
MATERIAL ANNEALED COPPER ASTM B-75	CHK 23JAN95 MS FEHER APPD 23JAN95 WJ VOCKROTH APPD 23JAN95 TL SHUTTER PRODUCT SPEC 108-30200	
FINISH SEE TABLE	APPLICATION SPEC -	
WEIGHT .031 LB	SCALE 1:1	SIZE C CAGE CODE 00779 DRAWING NO 327287 SHEET 1 OF 1