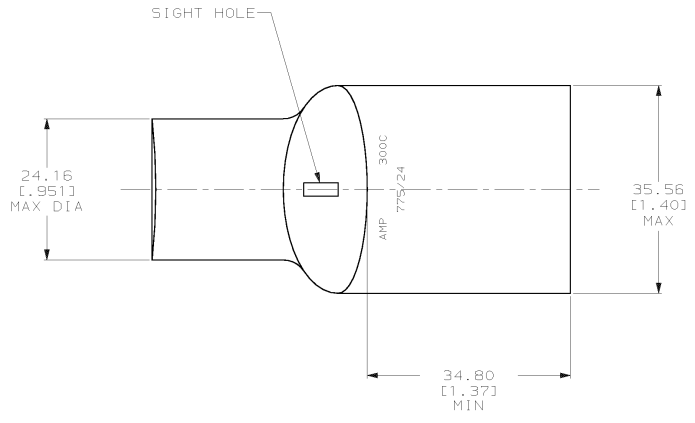
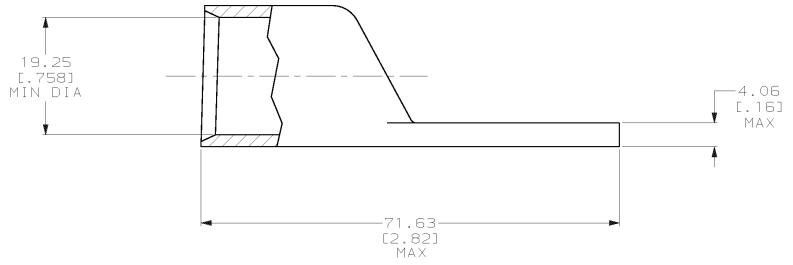


DRAWING MADE IN THIRD ANGLE PROJECTION
 THIS DRAWING IS UNPUBLISHED. RELEASED FOR PUBLICATION .19
 © COPYRIGHT 19 BY AMP INCORPORATED. ALL INTERNATIONAL RIGHTS RESERVED.

LOC	DIST	P	F	ZONE	LTR	REVISIONS	DATE	APPD
6	86				Y	REV PER 063A-0561-01	080CT02	JR/MS



1 CIRCULAR MIL AREA RANGE: 275-325 MCM
 △ CLEANED, UNPLATED



		△		2-325806-2	
		FINISH		PART NO	
DO NOT SCALE PRINT. UNLESS SPECIFIED DIMENSIONS IN mm [INCHES] TOLERANCES ON:		DR 03/09/90 DK SCHIRM		AMP INCORPORATED Harrisburg, Pa. 17105 NAME TERMINAL, AMPPOWER,™ WIRE SIZE 300 MCM	
2 PLC DEC ± 0.51(.020)		CHK 23JAN95 MS FEHER			
3 PLC DEC ± -		APPD 23JAN95 WJ VOCKROTH			
ANGLES ± -		APPD 23JAN95 TL SHUTTER			
MATERIAL ANNEALED COPPER ASTM B-75		PRODUCT SPEC 108-30200		DRAWING NO 325806	
FINISH SEE TABLE		APPLICATION SPEC -		SIZE C 00779	
		WEIGHT .172 LB		SCALE 2:1	
				SHEET 1 OF 1	

AMP 1471-6 REV 6-89
 18-JUN-97 15:34:03 amp26463 /ws/dept1123/dwg1123/u.ampower/u.rect-tonque

CUSTOMER DRAWING