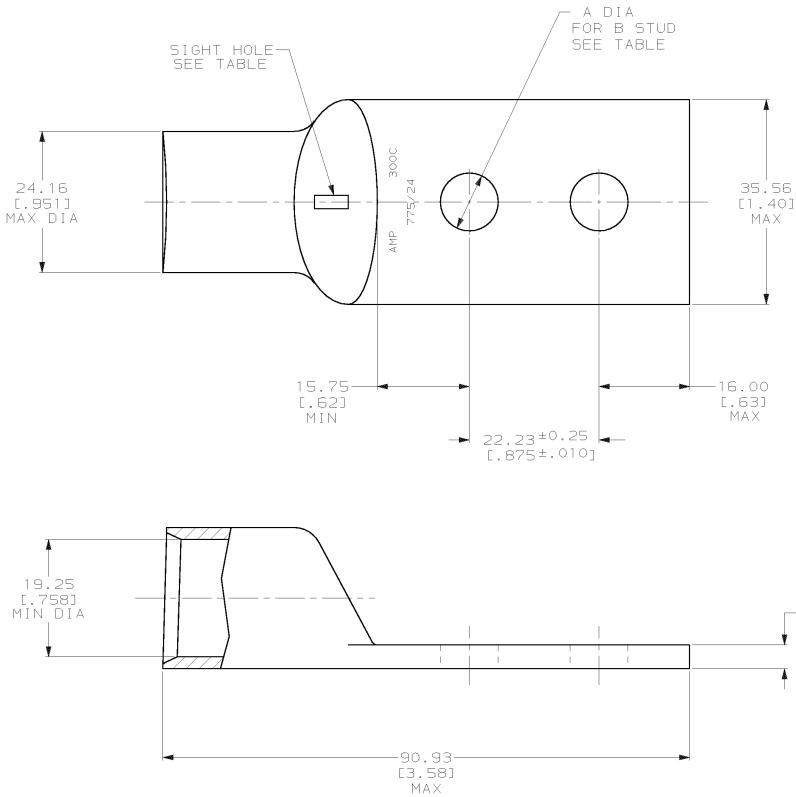


DRAWING MADE IN THIRD ANGLE PROJECTION
 THIS DRAWING IS UNPUBLISHED. RELEASED FOR PUBLICATION .19
 © COPYRIGHT 19 BY AMP INCORPORATED. ALL INTERNATIONAL RIGHTS RESERVED.

LOC		DIST		ZONE		LTR		REVISIONS		DATE	APPD
6	86	P	F					E	REV PER 063A-0561-01	070CT02	MS



1 CIRCULAR MIL AREA RANGE: 275-325 MCM
 TIN PL 0.00381 [0.00150] MIN THK PER MIL-T-10727

OBsolete	.208 lbs	REQD	9.91 [0.390]	3/8	276917-2
	.211 lbs	NONE	8.33 [0.328]	5/16	276917-1
	WEIGHT	SIGHT HOLE	A	B	PART NO

DO NOT SCALE PRINT. UNLESS SPECIFIED DIMENSIONS IN mm (INCHES) TOLERANCES ON: 2 PLC DEC ± 0.51 (.020) 3 PLC DEC ± - ANGLES ± -	DR 03/09/90 DK SCHIRM	AMP INCORPORATED Harrisburg, Pa. 17105
MATERIAL ANNEALED COPPER ASTM B-75	CHK 23JAN95 MS FEHER	
FINISH 	APPD 23JAN95 WJ VOCKROTH	
	PRODUCT SPEC 108-30200	NAME TERMINAL, AMPPOWER, WIRE SIZE: 300 MCM
	APPLICATION SPEC -	SIZE CAGE CODE DRAWING NO C 00779 276917
	WEIGHT -	SCALE 2:1 SHEET 1 OF 1

METRIC