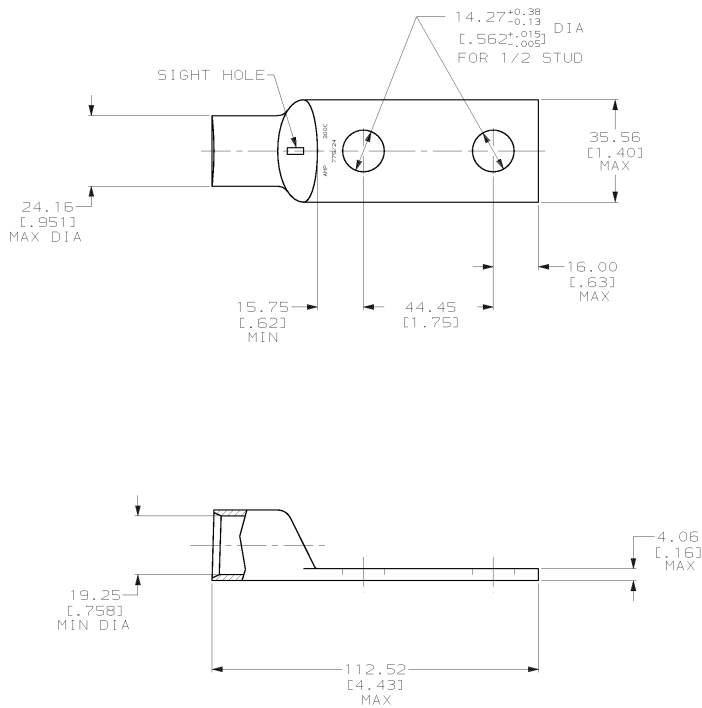


DRAWING MADE IN THIRD ANGLE PROJECTION

THIS DRAWING IS UNPUBLISHED. RELEASED FOR PUBLICATION .19  
 © COPYRIGHT 19 BY AMP INCORPORATED. ALL INTERNATIONAL RIGHTS RESERVED.

LOC	DIST	P	F	ZONE	LTR	REVISIONS	DATE	APPD
6	86				L	REV PER 063A-0561-02	0900T02	JR/MS



- 1 CIRCULAR MIL AREA RANGE: 275-325 MCM
- △ TIN PL 0.00381 [0.000150] MIN THK PER ASTM B 545
- △ CLEANED, UNPLATED

**METRIC**

FINISH		327286-1	
FINISH		327286	
PART NO		327286	
AMP INCORPORATED Harrisburg, Pa. 17105			
NAME			
TERMINAL, AMPPOWER, WIRE SIZE: 300 MCM			
MATERIAL		SIZE	CAGE CODE
ANNEALED COPPER ASTM B-75		C	00779
FINISH		DRAWING NO	
SEE TABLE		327286	
APPLICATION SPEC		SCALE	SHEET
-		1:1	1 OF 1
WEIGHT .250 LB			

327286

A