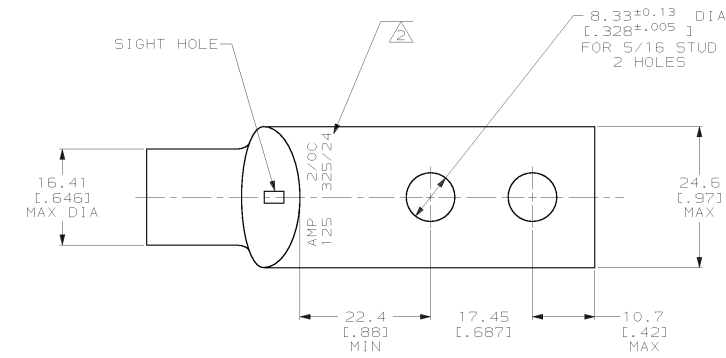
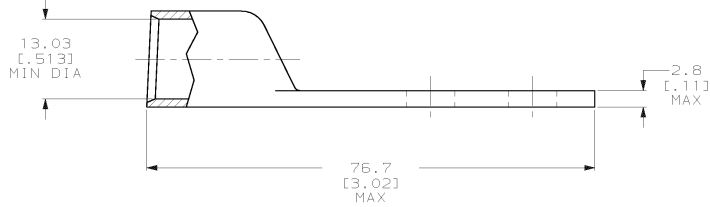


THIS DRAWING IS UNPUBLISHED. RELEASED FOR PUBLICATION .19
 © COPYRIGHT 19 BY AMP INCORPORATED. ALL INTERNATIONAL RIGHTS RESERVED.

REVISIONS									
LOC	DIST	P	F	ZONE	LTR	DESCRIPTION	DATE	APPR	HS
6	86				D	REV PER 063A-0561-01			



1 CIRCULAR MIL RANGE: 119,500-150,500 CM
 2 STAMP CHARACTERS APPROX AS SHOWN



THIS DRAWING IS A CONTROLLED DOCUMENT FOR AMP INCORPORATED. IT IS SUBJECT TO CHANGE AND THE CONTROLLING ENGINEERING ORGANIZATION SHOULD BE CONTACTED FOR THE LATEST REVISION.

		50990	
		PART NO	
DO NOT SCALE PRINT. UNLESS SPECIFIED DIMENSIONS IN mm (INCHES) TOLERANCES ON :		AMP AMP Incorporated Harrisburg, PA 17105-3608	
2 PLC DEC ± - 3 PLC DEC ± - ANGLES ± -		NAME	
MATERIAL COPPER PER ASTM B-75 ANNEALED		TERMINAL, AMPOWER, WIRE SIZE: 2/0 AWG	
FINISH TIN PLATE 0.00381 [0.000150] MIN THK PER MIL-T-10727		DRAWING NO C-50990	
DR 17AUG94 DK SCHIRM CHK 18AUG94 AJ KAUFMAN APPD 18AUG94 RE ROSER APPD 18AUG94 JL MECKLEY PRODUCT SPEC - APPLICATION SPEC -		SIZE C 00779	SCALE 2:1
WEIGHT .079 LBS		SHEET 1 OF 1	