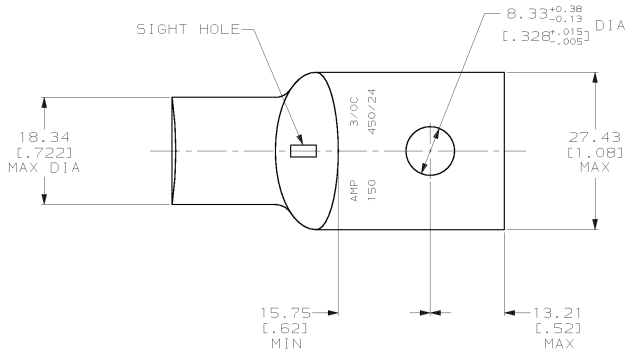
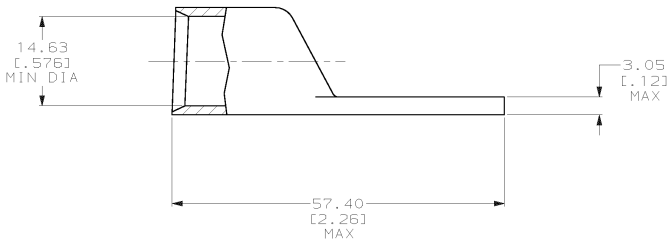


DRAWING MADE IN THIRD ANGLE PROJECTION
 THIS DRAWING IS UNPUBLISHED. RELEASED FOR PUBLICATION .19
 © COPYRIGHT 19 BY AMP INCORPORATED. ALL INTERNATIONAL RIGHTS RESERVED.

LOC	DIST	P	F	ZONE	LTR	REVISIONS	DATE	APPD
6	86				N	REV PER 063A-0561-01	0700T02	JR/MS



1 CIRCULAR MIL AREA RANGE: 150,500-190,000 CM
 TIN PL 0.00381 [0.000150] MIN THK PER MIL-T-10727



METRIC

		325502	
		PART NO	
DO NOT SCALE PRINT. UNLESS SPECIFIED DIMENSIONS IN mm [INCHES] TOLERANCES ON: 2 PLC DEC ± 0.51 [.020] 3 PLC DEC ± - ANGLES ± -		AMP AMP INCORPORATED Harrisburg, Pa. 17105	
MATERIAL ANNEALED COPPER ASTM B-75		NAME TERMINAL, AMPPOWER, WIRE SIZE: 3/0 AWG	
FINISH 		APPLICATION SPEC -	SIZE C
WEIGHT .076 LB		CAGE CODE 00779	DRAWING NO 325502
		SCALE 2:1	SHEET 1 OF 1

325502

A