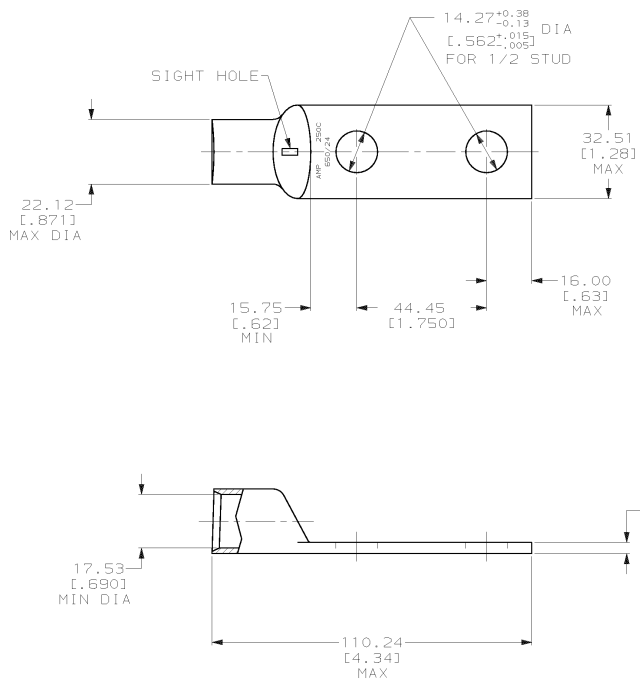
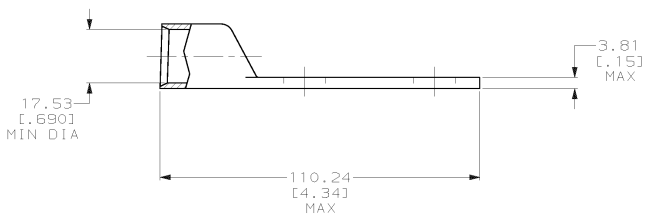


DRAWING MADE IN THIRD ANGLE PROJECTION
 THIS DRAWING IS UNPUBLISHED. RELEASED FOR PUBLICATION .19
 © COPYRIGHT 19 BY AMP INCORPORATED. ALL INTERNATIONAL RIGHTS RESERVED.

LOC	DIST	P	F	ZONE	LTR	REVISIONS	DATE	APPD
6	86				M	REV PER 063A-0561-01	0900T02	JR/MS



- 1 CIRCULAR MIL AREA RANGE: 231-275 MCM
- △ TIN PL 0.00381 [0.000150] MIN THK PER ASTM B545
- △ CLEANED, UNPLATED
- △ PREPRODUCTION - FASR REQ



METRIC

△	△	327285-2
△	△	327285
FINISH	PART NO	

DO NOT SCALE PRINT. UNLESS SPECIFIED DIMENSIONS IN mm (INCHES) TOLERANCES ON: 2 PLC DEC ± 0.51 (0.020) 3 PLC DEC ± - ANGLES ± -		DR 02/28/90 DK SCHIRM	AMP INCORPORATED Harrisburg, Pa. 17105	
MATERIAL ANNEALED COPPER ASTM B-75		CHK 20JAN95 MS FEHER		
FINISH SEE TABLE	APPLICATION SPEC -	APPD 20JAN95 TL SHUTTER	NAME TERMINAL, AMPPOWER™ WIRE SIZE: 250 MCM	
WEIGHT .201 LB	SIZE C	CAGE CODE 00779	DRAWING NO 327285	SHEET 1 OF 1