

4

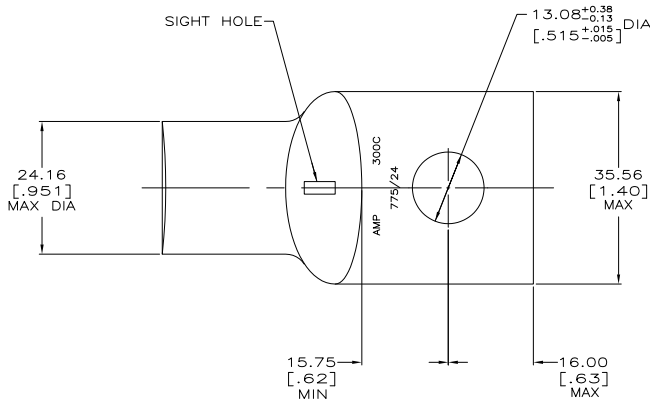
3

2

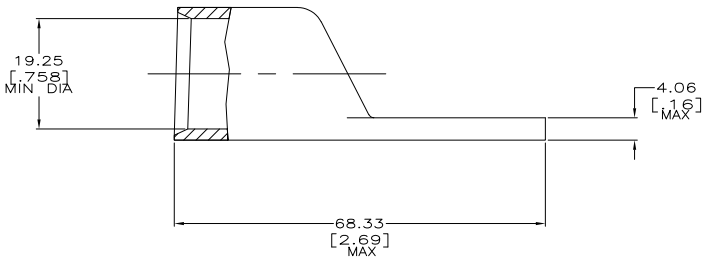
1

THIS DRAWING IS UNPUBLISHED. RELEASED FOR PUBLICATION
 © COPYRIGHT BY TYCO ELECTRONICS CORPORATION. ALL INTERNATIONAL RIGHTS RESERVED.

LOC	DIST	REVISIONS					
		P	LR	DESCRIPTION	DATE	BY	APPD
G	86	Z		REV PER ECR 05-012008	09/JUN/08	JR	MS



- 1 CIRCULAR MIL AREA RANGE: 275-325 MCM
- ⚠ TIN PL 0.00381[.000150] MIN THK PER ASTM B-545
- ⚠ NO SIGHT HOLE
- ⚠ STAMP FOR MANUFACTURING LOCATION PERMISSIBLE.



⚠⚠ 325805-1
 325805
 PART NO.

THIS DRAWING IS A CONTROLLED DOCUMENT.		DR: D.K. SCHRUM 02/28/90	Tyco Electronics Corporation Harrisburg, PA 17105-3608	
DIMENSIONS: MM [INCHES]		CHK: M.S. FEHNER 23JAN95	APPROVED: M.S. FEHNER 23JAN95	
TOLERANCES UNLESS OTHERWISE SPECIFIED:		TITLE: TL SHUTTER		
0 PLC ± .01		PRODUCT SPEC: 108-30200		
1 PLC ± .015		APPLICATION SPEC: -		
2 PLC ± .02		SIZE: A2		
3 PLC ± .03		CAGE CODE: 00779		
4 PLC ± .04		DRAWING NO: C=325805		
ANGLES ± .5		WEIGHT: .154 LB		
FINISH: ANNEALED COPPER PER ASTM B-75		CUSTOMER DRAWING		
		RESTRICTED TO: -		
		SCALE: 2:1		
		SHEET: 1 of 1		
		REV: Z		

1471-9 (1/08)

325805

A