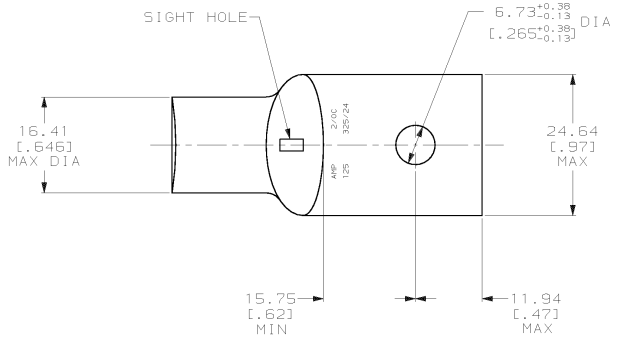
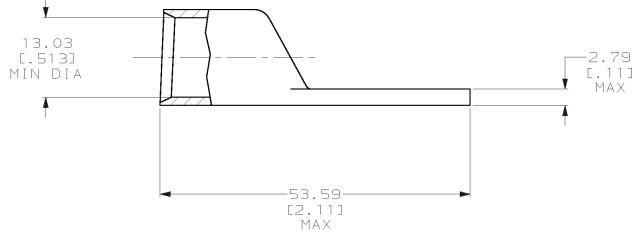


DRAWING MADE IN THIRD ANGLE PROJECTION
 THIS DRAWING IS UNPUBLISHED. RELEASED FOR PUBLICATION .19
 © COPYRIGHT 19 BY AMP INCORPORATED. ALL INTERNATIONAL RIGHTS RESERVED.

LOC		DIST		ZONE		LTR		REVISIONS		DATE	APPD
6	86	P	F			R		REV PER 063A-0561-01	0700T02	JR/MS	



1 CIRCULAR MIL AREA RANGE: 119,500-150,500 CM
 TIN PL 0.00381 [0.000150] MIN THK PER MIL-T-10727



METRIC

		325401	
		PART NO	
DO NOT SCALE PRINT. UNLESS SPECIFIED DIMENSIONS IN mm (INCHES) TOLERANCES ON: 2 PLC DEC ± 0.51 (.020) 3 PLC DEC ± - ANGLES ± -		DR 02/28/90 DK SCHIRM	
MATERIAL ANNEALED COPPER ASTM B-75		CHK 17JAN95 MS FEHER	
FINISH △		APPD 17JAN95 WJ VOCKROTH	
APPLICATION SPEC -		NAME AMP INCORPORATED Harrisburg, Pa. 17105	
WEIGHT .057 LB		PRODUCT SPEC -	
SIZE C		TERMINAL, AMPOWER WIRE SIZE: 2/0 AWG	
SCALE 2:1		DRAWING NO 325401	
		SHEET 1 OF 1	