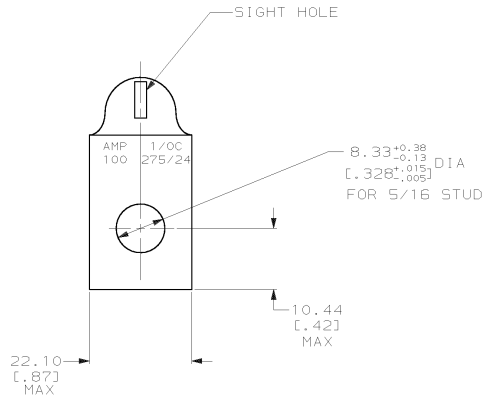
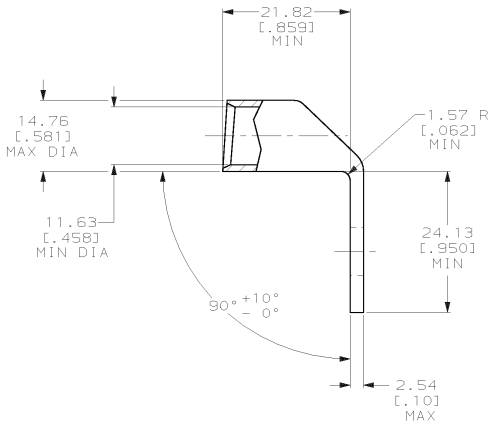


DRAWING MADE IN THIRD ANGLE PROJECTION
 THIS DRAWING IS UNPUBLISHED. RELEASED FOR PUBLICATION .19
 © COPYRIGHT 19 BY AMP INCORPORATED. ALL INTERNATIONAL RIGHTS RESERVED.

LOC	DIST	P	F	ZONE	LTR	REVISIONS	DATE	APPD
6	86					D REV PER 063A-0561-01	0700T02	JR/MS

△ TIN PL 0.00381 [0.00150] MIN THK PER MIL-T-10727



METRIC

		325320	
		PART NO	
DO NOT SCALE PRINT. UNLESS SPECIFIED DIMENSIONS IN mm (INCHES) TOLERANCES ON: 2 PLC DEC ± 0.51 (.020) 3 PLC DEC ± ANGLES ± -		AMP INCORPORATED Murrysburg, Pa. 17165	
DR 03/09/90 DK SCHIRM		NAME	
CHK 31AUG94 MS FEHER		TERMINAL, AMPPOWER™ WIRE SIZE: 1/0 AWG	
APPD 31AUG94 WJ VOCKROTH		DRAWING NO	
MATERIAL ANNEALED COPPER ASTM B-75		325320	
PRODUCT SPEC -		SHEET 1 OF 1	
FINISH △		SIZE C	CAGE CODE 00779
APPLICATION SPEC -		DRAWING NO 325320	
WEIGHT -		SCALE 2:1	