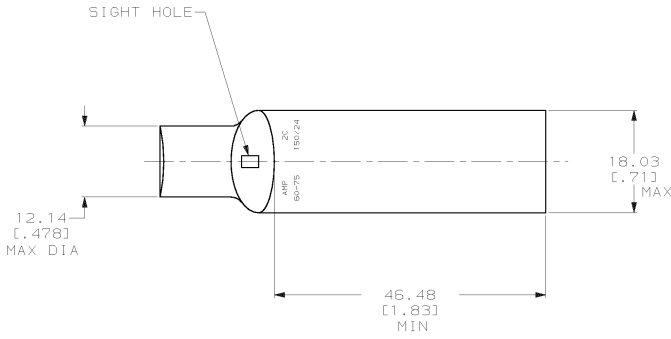
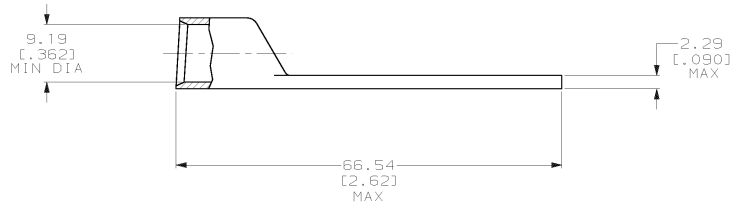


DRAWING MADE IN THIRD ANGLE PROJECTION  
 THIS DRAWING IS UNPUBLISHED. RELEASED FOR PUBLICATION .19  
 © COPYRIGHT 19 BY AMP INCORPORATED. ALL INTERNATIONAL RIGHTS RESERVED.

LOC		DIST		ZONE		LTR		REVISIONS		DATE	APPD
6	86	P	F					REV PER 063A-0561-01	0700T02	JR/MS	



1 CIRCULAR MIL AREA RANGE: 52,600-83,700 CM  
 TIN PL 0.00381[.000150] THK PER MIL-T-10727



**METRIC**

DO NOT SCALE PRINT. UNLESS SPECIFIED DIMENSIONS IN mm (INCHES) TOLERANCES ON: 2 PLC DEC ± 0.51(.020) 3 PLC DEC ± - ANGLES ± -		DR 02/28/90 DK SCHRUM	325207 PART NO	
MATERIAL ANNEALED COPPER ASTM B-75	CHK 18JAN95 MS FEHER	APPD 18JAN95 WJ VOCKROTH	AMP INCORPORATED Harrisburg, Pa. 17105	
FINISH △	PRODUCT SPEC 108-30200	APPD 18JAN95 TL SHUTTER	NAME TERMINAL, AMPPOWER, WIRE SIZE: 2 AWG	
APPLICATION SPEC -	WEIGHT .044 LB	SIZE C	CAGE CODE 00779	DRAWING NO 325207
		SCALE 2:1	SHEET 1 OF 1	