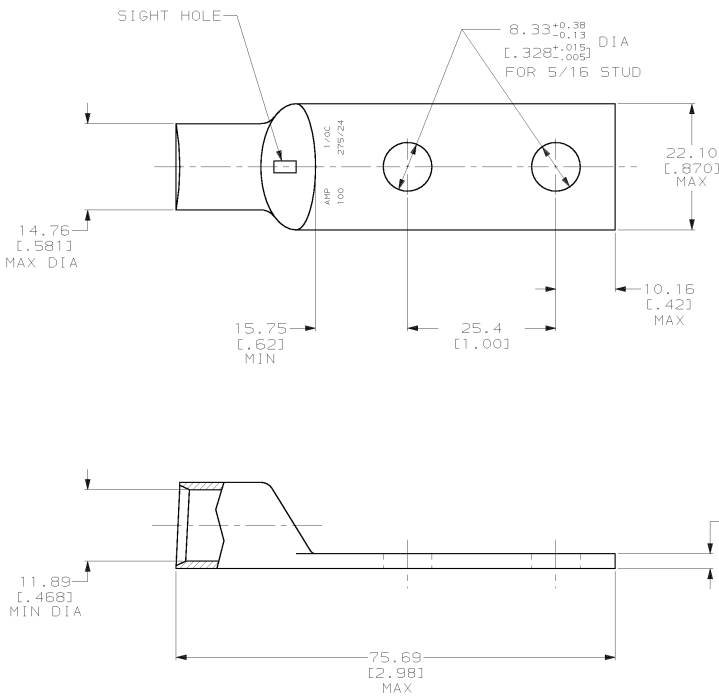


DRAWING MADE IN THIRD ANGLE PROJECTION  
 THIS DRAWING IS UNPUBLISHED. RELEASED FOR PUBLICATION .19  
 © COPYRIGHT 19 BY AMP INCORPORATED. ALL INTERNATIONAL RIGHTS RESERVED.

LOC		DIST		ZONE		LTR		REVISIONS		DATE	APPD
6	86	P	F					E	REV PER 063A-0561-01	090CT02	JB/MS



1 CIRCULAR MIL RANGE: 83,700-119,500 CM  
 △ NICKEL PL 0.00254[.000100] MIN THK PER QQ-N-290

328169  
 PART NO

DO NOT SCALE PRINT. UNLESS SPECIFIED DIMENSIONS IN mm (INCHES) TOLERANCES ON: 2 PLC DEC ± 0.51(.020) 3 PLC DEC ± - ANGLES ± -		DR 03/09/90 DK SCHIRM	<b>AMP</b> AMP INCORPORATED Harrisburg, Pa. 17105 NAME <b>TERMINAL, AMPPOWER™</b> <b>WIRE SIZE: 1/0 AWG</b>	
MATERIAL ANNEALED COPPER ASTM B-75		CHK 31AUG94 MS FEHER		
FINISH △	APPLICATION SPEC -	APPD 31AUG94 WJ VOCKROTH	SIZE <b>C</b>	CAGE CODE 00779
WEIGHT .062 LB		PRODUCT SPEC -	DRAWING NO 328169	SHEET 1 OF 1