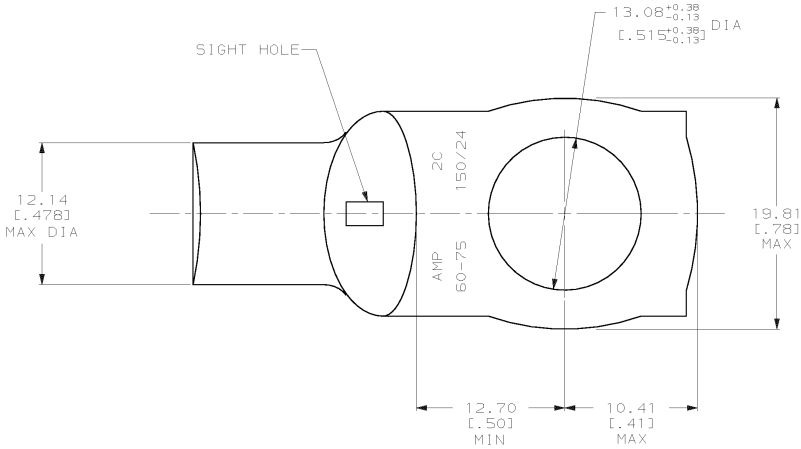
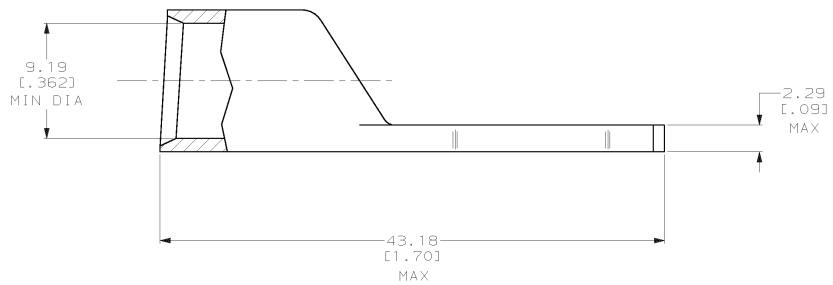


DRAWING MADE IN THIRD ANGLE PROJECTION
 THIS DRAWING IS UNPUBLISHED. RELEASED FOR PUBLICATION .19
 © COPYRIGHT 19 BY AMP INCORPORATED. ALL INTERNATIONAL RIGHTS RESERVED.

LOC	DIST	P	F	ZONE	LTR	REVISIONS	DATE	APPD	
6	86					D	REV PER 063A-0561-01	0700T02	JR/MS



1 CIRCULAR MIL AREA RANGE: 52,600-83,700 CM
 TIN PL 0.00381 [.000150] MIN THK PER MIL-T-10727



METRIC

DO NOT SCALE PRINT. UNLESS SPECIFIED DIMENSIONS IN mm (INCHES) TOLERANCES ON: 2 PLC DEC ± 0.51(.020) 3 PLC DEC ± - ANGLES ± -		DR 03/09/90 DK SCHRUM	325250 PART NO	
MATERIAL ANNEALED COPPER ASTM B-75	CHK 18JAN95 MS FEHER	APPD 18JAN95 WJ VOCKROTH	AMP AMP INCORPORATED Harrisburg, Pa. 17105	
FINISH △	PRODUCT SPEC 108-30200	APPD 18JAN95 TL SHUTTER	NAME TERMINAL, AMPPOWER, WIRE SIZE: 2 AWG	
APPLICATION SPEC -	WEIGHT .024 LB	SCALE 4:1	SIZE C CAGE CODE 00779	DRAWING NO 325250 SHEET 1 OF 1