

4

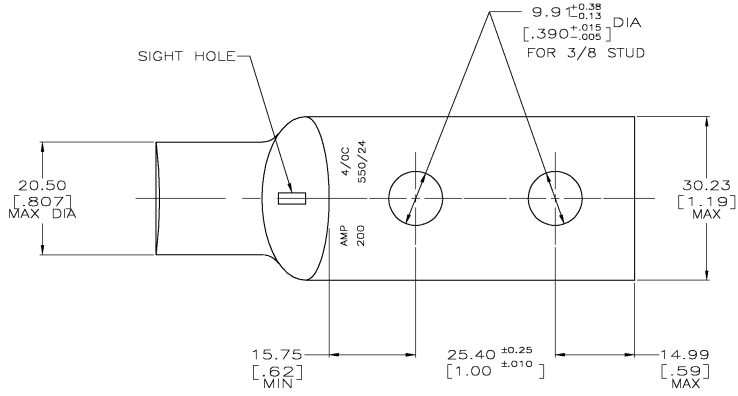
3

2

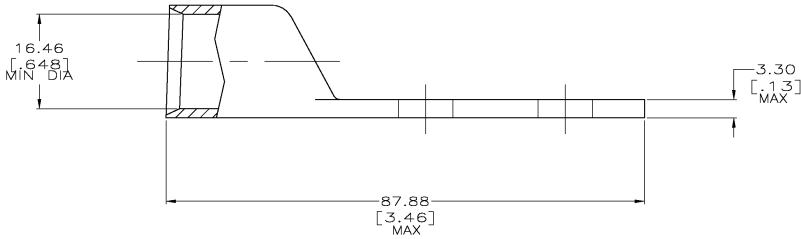
1

THIS DRAWING IS UNPUBLISHED. RELEASED FOR PUBLICATION
 © COPYRIGHT BY TYCO ELECTRONICS CORPORATION. ALL RIGHTS RESERVED.

LOC	DIST	REVISIONS			
P	LTR	DESCRIPTION	DATE	MIN	APPD
G	86	REV PER OG3A-0723-03	12NOV03	Jr	MS



- 1 CIRCULAR MIL RANGE: 190,000-231,000 CM
- 2 TIN PLATE 0.00381 [0.000150] MIN THK PER ASTM B545
- 3 CLEANED, UNPLATED
- 4 COPPER PER ASTM B-75, ANNEALED



3	326803-5
2	326803
FINISH	PART NO

THIS DRAWING IS A CONTROLLED DOCUMENT.		DR	02/28/90	Tyco Electronics Corporation	
DIMENSIONS: INCHES		DR	DK SCHURM	Harrisburg, PA 17105	
TOLERANCES UNLESS OTHERWISE SPECIFIED:		CHK	AL KAUFMAN	TERMINAL, AMPPOWER, WIRE SIZE: 4/0 AWG	
0 DEC	±	APPD	J. MECKLEY	APPLICATION SPEC	
1 DEC	±	PROJECT SPEC		SIZE CASE CODE DRAWING NO	
2 DEC	±	MATERIAL		RESTRICTED TO	
3 DEC	±	FINISH		A2 00779 C-326803	
4 DEC	±	SEE TABLE		SCALE 2:1 SHEET 1 of 1 REV Y	
5 DEC	±	MATERIAL		WEIGHT .142 LBS	
6 DEC	±	FINISH		CUSTOMER DRAWING	

AMP 1421-9 REV 31 MAR 2000

H:\dm\ecmod\

326803

A